

Features

- Metal construction.
- For 4" (102 mm) centers.
- 4-7/16" (112 mm) spout reach.
- Grid drain with tailpiece.
- Stationary spout.
- Lever handles.
- Complements the Coralais Suite.
- Red/blue indexing.
- Vandal-resistant aerator.
- 0.5 gal/min (1.9 l/min) maximum flow rate [max at 60 psi (4.14 bar)].

Optional Products/Accessories

1160594 .35 gpm Aerator, Large



ADA

CSA B651

OBC

Codes/Standards

ASME A112.18.1/CSA B125.1

NSF/ANSI 61

NSF/ANSI 372

All applicable US Federal and State material regulations

DOE - Energy Policy Act 1992

ADA

ICC/ANSI A117.1

CSA B651

OBC

KOHLER® One-Year Limited Warranty

See website for detailed warranty information.

Available Colors/Finishes

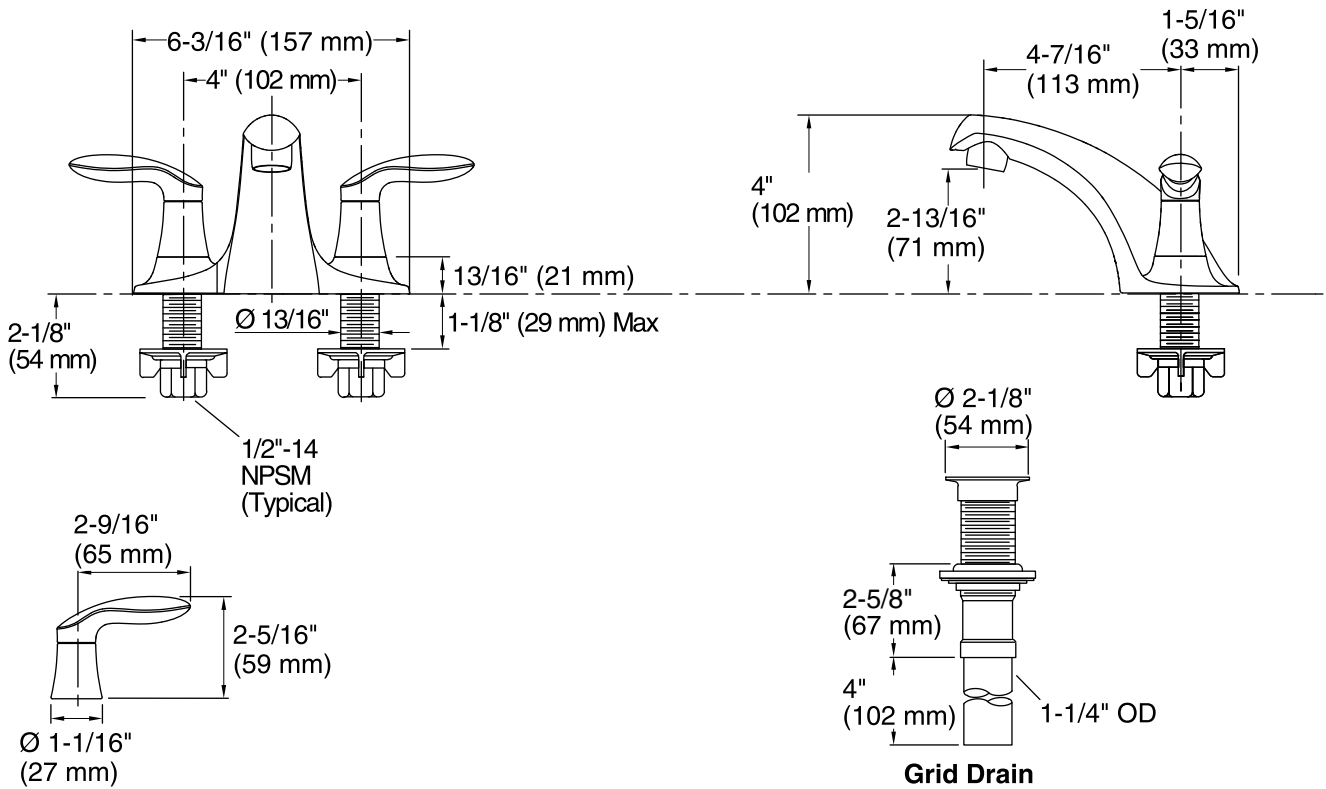
Color tiles intended for reference only.

Color	Code	Description
-------	------	-------------



CP

Polished Chrome



Technical Information

All product dimensions are nominal.

Faucet:

Flow rate: 0.5 gal/min (1.9 l/min)

Pressure: 60 psi (4.1 bar)

Valve body: Machined-brass

Drain with overflow: Yes

Drain tailpiece included: Yes

Spout:

Spout reach: 4-7/16" (112 mm)

Notes

Install this product according to the installation guide.

ADA, OBC, CSA B651 compliant when installed to the specific requirements of these regulations.