



Highline® Classic

The Complete Solution® elongated toilet, 1.28 gpf
K-14799

Features

- Two-piece toilet.
- Elongated bowl offers added room and comfort.
- Comfort Height® feature offers chair-height seating that makes sitting down and standing up easier for most adults.
- 1.28 gpf (4.8 lpf).
- Standard left-hand Polished Chrome trip lever included.
- The Complete Solution® toilets provide everything you need in one box, including bowl, tank, seat, wax ring, and floor hardware.
- Combination consists of the K-4436 Wellworth tank and the K-4199 Highline bowl.

Technology

- Single-flush gravity uses the force of gravity and a precision-engineered tank, bowl, and trapway to create a strong siphon during flushing.
- Class Five® flushing technology offers virtually plug-free performance and rinsing power for a clean bowl.

Installation

- Supply line sold separately.
- Standard 12" (305 mm) rough-in.
- Three-bolt installation.

Water Conservation & Rebates

- Eligible for consumer rebates in some municipalities.

Recommended Products/Accessories

- K-75796 Cachet® Nightlight Quiet-Close™ Elongated Toilet Seat
- K-5588 Purefresh® Elongated Toilet Seat
- K-5420 Low-Profile Bolt Caps
- K-23726 Drain treatment

Included Components

Product consists of:

- K-4436 Toilet tank, 1.28 gpf
- K-4199 Two-piece elongated chair height toilet bowl
- K-4636 Cachet® Quiet-Close™ Elongated Toilet Seat

Additional Components:

- Tank cover, Trip Lever, Wax Ring, and Hardware Kit



ADA CSA B651 OBC

Codes/Standards

- ASME A112.19.2/CSA B45.1
- DOE - Energy Policy Act 1992
- EPA WaterSense®
- California Energy Commission (CEC)
- ADA
- ICC/ANSI A117.1
- CSA B651
- OBC



KOHLER® One-Year Limited Warranty

See website for detailed warranty information.

Available Colors/Finishes

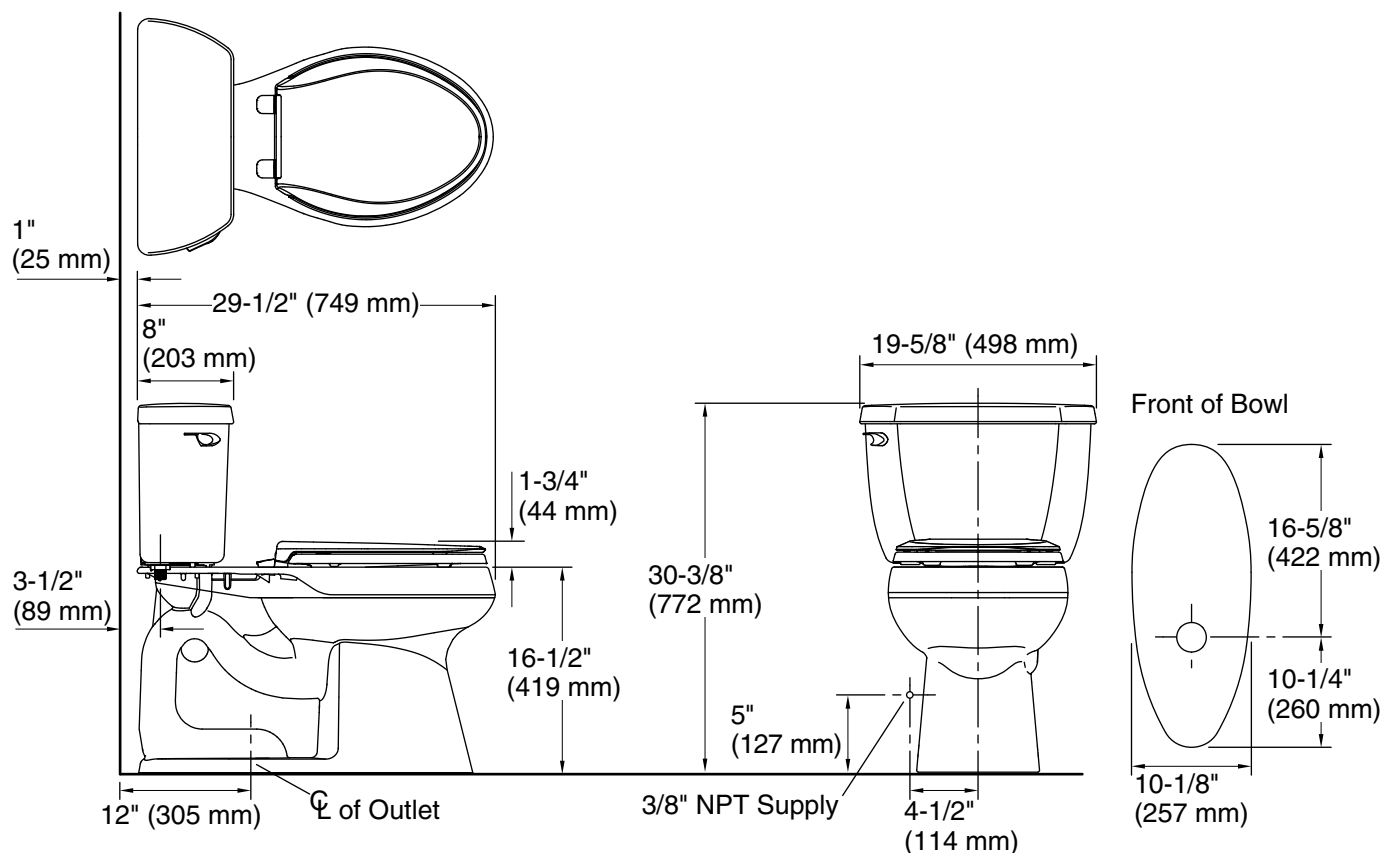
Color tiles intended for reference only.

Color Code Description

	0	White
	96	Biscuit

KOHLER®

Highline® Classic The Complete Solution® elongated toilet, 1.28 gpf K-14799



Technical Information

All product dimensions are nominal.

Toilet type:	Two-piece
Bowl shape:	Elongated
Trap passageway:	2-1/8" (54 mm)
Water Consumption	
Full:	1.28 gpf (4.8 lpf)
Water surface size:	11-3/8" x 8" (289 mm x 203 mm)
Rim to water surface:	5-3/8" (137 mm)
Rough-in:	12" (305 mm)
Seat-mounting holes:	5-1/2" (140 mm)

Notes

Install this product according to the installation instructions.

ADA, OBC, CSA B651 compliant when installed to the specific requirements of these regulations.

Plumbing codes may require elongated toilets and elongated, open-front seats in public bathrooms.

Accessibility standards may require controls to be located on the open side of the toilet.

1-800-4KOHLER (1-800-456-4537)

Kohler Co. reserves the right to make revisions without notice to product specifications.

For the most current Specification Sheet, go to www.kohler.com.

4-8-2020 05:52 - US

THE BOLD LOOK
OF **KOHLER**®