



Evenweave™ Alcott™ Apron Front Kitchen Sink K-14572-T3

Features

- Decorated with a textured woven pattern.
- Fits minimum 27-inch apron sink base cabinet.
- Single bowl.
- 8-inch depth.
- Integral apron front.
- Three oversized faucet holes with two oversized accessory holes to the right.
- Oversized holes allow for easy installation of faucets and accessories.

Material

- Fireclay

Installation

- Under-mount apron-front.

Recommended Products/Accessories

K-9000 P-Trap
K-8801 Sink Strainer
K-8799 Sink Strainer



Codes/Standards



ASME A112.19.3/CSA B45.4

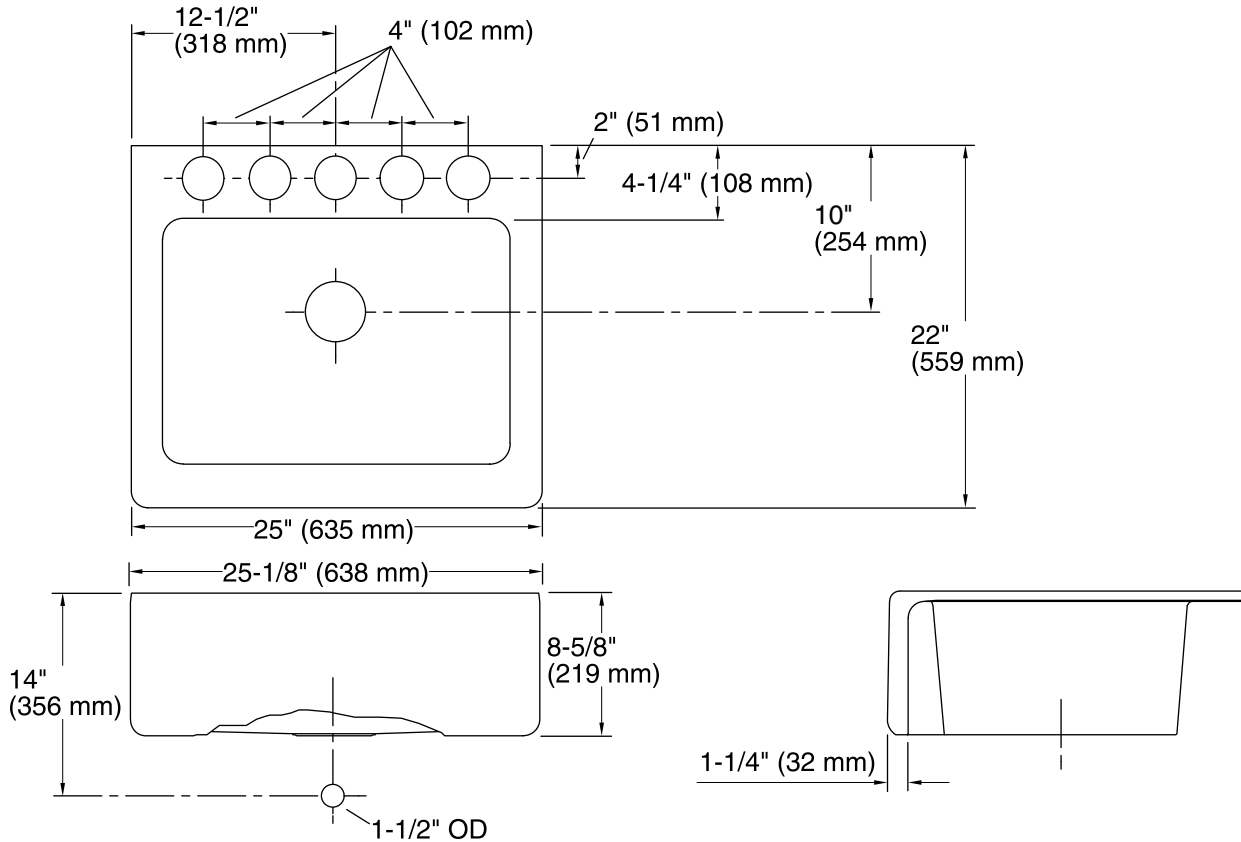
KOHLER® One-Year Limited Warranty

See website for detailed warranty information.

Available Colors/Finishes

Color tiles intended for reference only.

Color	Code	Description
	W2	Earthen White
	K5	Translucent Cashmere



Technical Information

All product dimensions are nominal.

Installation: Tile-in/Flush-mount, Under-mount

Min. base cabinet width: 27" (686 mm)

Drain hole: 3-7/8" (98 mm)

Notes

Install this product according to the installation instructions.

Due to the special nature of this installation, Kohler Co. recommends that an experienced cabinet maker use the actual sink to build the new cabinet or modify an existing cabinet.