

### Features

- 6 hydromassage jets can be individually adjusted for water flow and direction.
- Variable-speed pump for adjusting massage intensity.
- 8 effervescence ports deliver gentle, caressing bubbles.
- 10 backjets target the lower back and shoulders to relieve tension and encourage deep breathing.
- Adjustable neckjet pillow with 2 jets provides a stimulating, stress-relieving neck massage.
- Chromatherapy lighting allows you to select a preferred color scheme to suit your mood.
- Built-in heater.
- Lighted keypad.
- Remote control.
- Drilled for grab bars (required); sold separately.
- Coordinates with other products in the Portrait collection.

### Material

- Acrylic

### Hydrotherapy

- Whirlpool
- Effervescence
- Backjets
- Neckjets
- Chromatherapy

### Installation

- Drop-in

### Required Products/Accessories

K-9653 Grab Bars

### Recommended Products/Accessories

K-7161-AF Bath Drain  
K-300-K High Flow Bath Valve  
K-T16122-4 Bath Faucet Trim  
K-24916 Wireless Music Kit  
K-9696 Whirlpool 6-Jet Trim Kit



### Codes/Standards

ASME A112.19.7/CSA B45.10  
CSA B45.5/IAPMO Z124  
ASTM E162  
ASTM E662  
UL 1795




**KOHLER® Plastic Baths and Receptors  
Lifetime Limited Warranty  
KOHLER® Hydrotherapy Components  
Five-Year Limited Warranty**

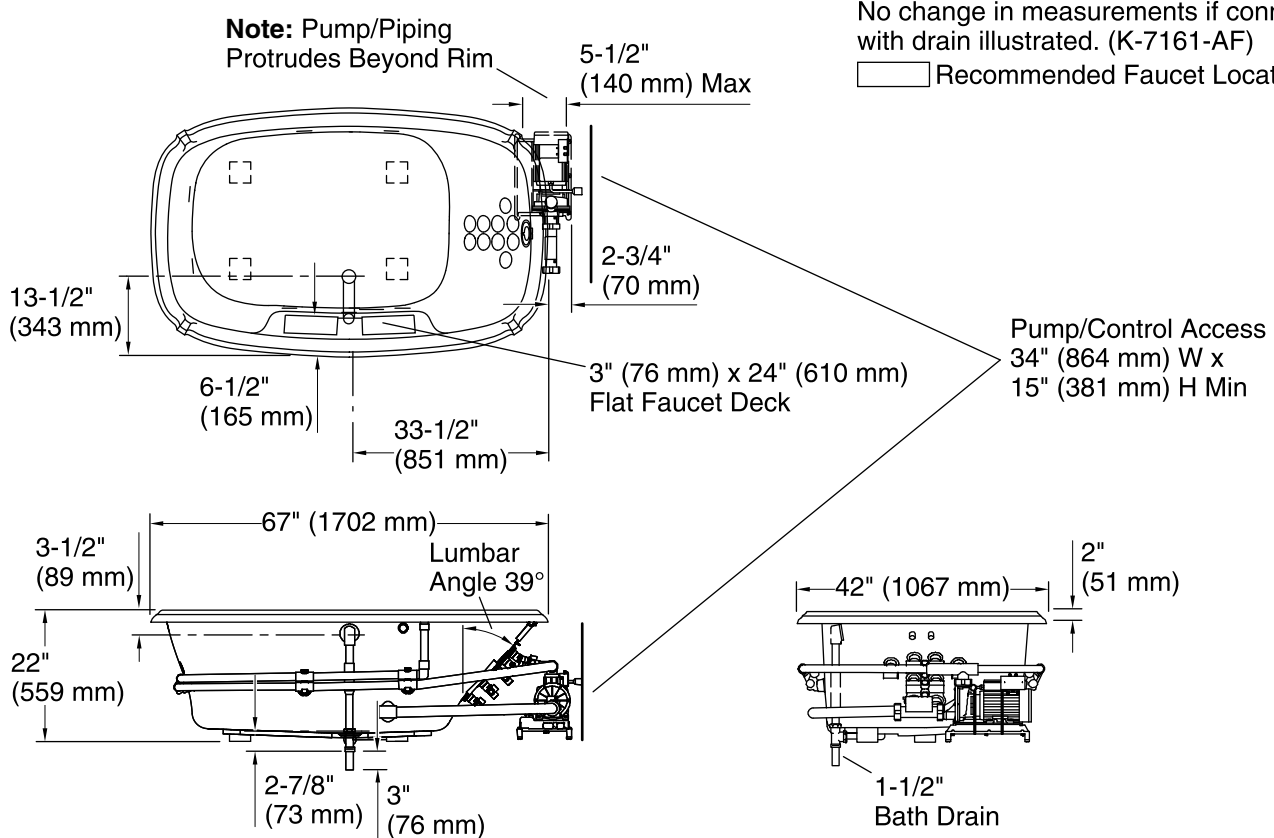
See website for detailed warranty information.

### Available Colors/Finishes

*Color tiles intended for reference only.*

Color	Code	Description
-------	------	-------------

	0	White
	96	Biscuit
	47	Almond



### Required Electrical Service

One dedicated circuit required, protected with Class A Ground-Fault Circuit-Interrupter (GFCI). Outside North America, this device may be known as a Residual Current Device (RCD).

Pump, Heater: 240 V, 20 A, 50/60 Hz

### Technical Information

All product dimensions are nominal.

Installation:	Drop-in
Drain location:	Center
Basin area, bottom:	40" x 27" (1016 mm x 686 mm)
Basin area, top:	61" x 32" (1549 mm x 813 mm)
Weight:	160 lbs (72.6 kg)
Minimum floor load:	48 lbs/ft <sup>2</sup> (234.4 kg/m <sup>2</sup> )
Water depth:	16" (406 mm)
Water capacity:	90 gal (340.7 L)
Cutout:	Drop-in, 64" x 38" (1626 mm x 965 mm)
Template:	Drop-in, 113311-7, required, included
Electrical component rating:	Pump: 240 V, 11 A, 50/60 Hz Heater: 240 V, 50/60 Hz, 1500 W
Pump speed:	Variable

### Notes

Measure your actual product for rough-in details. Install this product according to the installation instructions.

The hot water supply should be 70% of the capacity of the bath or greater. Installations will vary.

If installing a rim-mount faucet, make sure there is no interference above or below the deck before drilling any holes.