

Features

- 8 hydromassage jets can be individually adjusted for water flow and direction.
- Variable-speed pump for adjusting massage intensity.
- 8 effervescence ports deliver gentle, caressing bubbles.
- Chromatherapy lighting allows you to select a preferred color scheme to suit your mood.
- Built-in heater.
- Lighted keypad.
- Remote control.
- Spacious design accommodates up to two bathers.
- Drilled for grab bars (required); sold separately.
- Coordinates with other products in the Portrait collection.

Material

- Acrylic

Hydrotherapy

- Whirlpool
- Effervescence
- Chromatherapy

Installation

- Drop-in

Additional Hydrotherapy Options

- Soaking Bath - 1454-0
- BubbleMassage air bath - 1457-G
- BubbleMassage air bath + Bask heated surface - 1457-GCR
- Effervescence Relax Package - 1457-CT
- Effervescence Spa Package - 1457-AH
- Whirlpool Massage Package - 1457-LM
- Spa Package + Massage Package - 1457-LV

Recommended Products/Accessories

K-1491 Bath/Whirlpool Pillow
K-1601 Bath/Whirlpool Footstop
K-7161-AF Bath Drain
K-T16122-4 Bath Faucet Trim
K-24916 Wireless Music Kit
K-1703 Whirlpool Remote Control
K-7265 Clearflo Bath Drain
K-9498 3" Keypad Trim
K-9698 Flexjet® Whirlpool Trim Kit



Codes/Standards

ASME A112.19.7/CSA B45.10
CSA B45.5/IAPMO Z124
ASTM E162
ASTM E662
UL 1795




**KOHLER® Plastic Baths and Receptors
Lifetime Limited Warranty
KOHLER® Hydrotherapy Components
Five-Year Limited Warranty**

See website for detailed warranty information.

Available Colors/Finishes

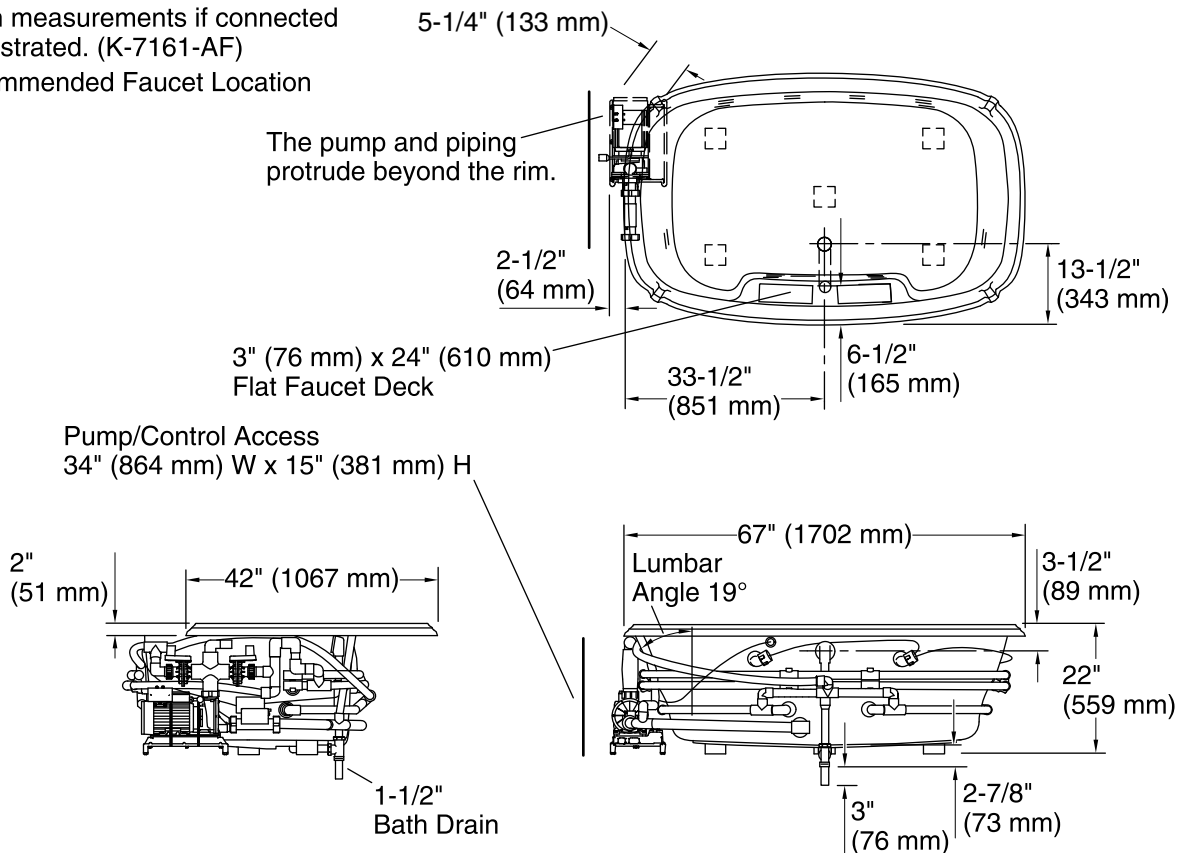
Color tiles intended for reference only.

Color	Code	Description
-------	------	-------------

	0	White
	96	Biscuit
	47	Almond

No change in measurements if connected with drain illustrated. (K-7161-AF)

□ Recommended Faucet Location



Required Electrical Service

One dedicated circuit required, protected with Class A Ground-Fault Circuit-Interrupter (GFCI). Outside North America, this device may be known as a Residual Current Device (RCD).

Pump, Heater: 240 V, 20 A, 50/60 Hz

Technical Information

All product dimensions are nominal.

Installation:	Drop-in
Drain location:	Center
Basin area, bottom:	50" x 29" (1270 mm x 737 mm)
Basin area, top:	61" x 32" (1549 mm x 813 mm)
Weight:	140 lbs (63.5 kg)
Minimum floor load:	47 lbs/ft ² (229.5 kg/m ²)
Water depth:	16" (406 mm)
Water capacity:	100 gal (378.5 L)
Template:	Drop-in, 113311-7, required, included
Electrical component rating:	Pump: 240 V, 11 A, 50/60 Hz Heater: 240 V, 50/60 Hz, 1500 W
Pump speed:	Variable

Notes

Measure your actual product for rough-in details. Install this product according to the installation instructions.

The hot water supply should be 70% of the capacity of the bath or greater. Installations will vary.

If installing a rim-mount faucet, make sure there is no interference above or below the deck before drilling any holes.