

#### Features

- Molded lumbar support and armrests offer extra comfort while bathing.
- Spacious bathing for up to two people.
- Center drain.
- Coordinates with other products in the Portrait collection.

#### Material

- Acrylic

#### Installation

- Drop-in

#### Additional Hydrotherapy Options

- Soaking Bath - 1454-0
- BubbleMassage air bath - 1457-G
- BubbleMassage air bath + Bask heated surface - 1457-GCR
- Effervescence Relax Package - 1457-CT
- Effervescence Spa Package - 1457-AH
- Whirlpool Massage Package - 1457-LM
- Spa Package + Massage Package - 1457-LV

#### Recommended Products/Accessories

K-7161-AF Bath Drain  
K-300-K High Flow Bath Valve  
K-24916 Wireless Music Kit  
K-1491 Bath/Whirlpool Pillow  
K-1601 Bath/Whirlpool Footstop  
K-7213 27" Cable Bath Drain  
K-7214 27" Cable Bath Drain  
K-7265 Clearflo Bath Drain  
K-6905-4 Bath Faucet  
K-T125-3 Bath Faucet Trim  
K-T125-4 Bath Faucet Trim  
K-T125-9B Bath Faucet Trim  
K-T16119-4 Bath Faucet Trim  
K-T16119-4A Bath Faucet Trim  
K-T16122-4 Bath Faucet Trim  
K-T16122-4A Bath Faucet Trim  
K-T6906-4 Bath Faucet Trim



#### Codes/Standards




CSA B45.5/IAPMO Z124  
ASTM E162  
ASTM E662

#### KOHLER® Plastic Baths and Receptors Lifetime Limited Warranty

See website for detailed warranty information.

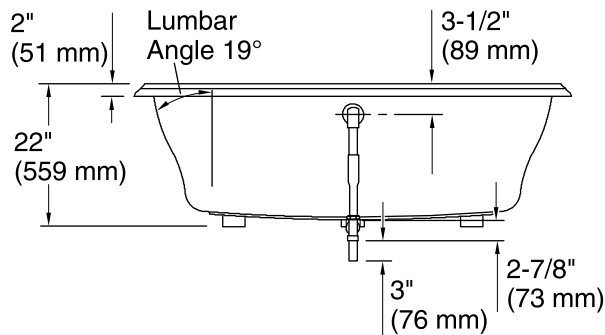
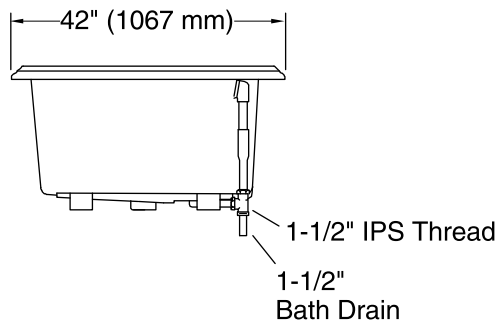
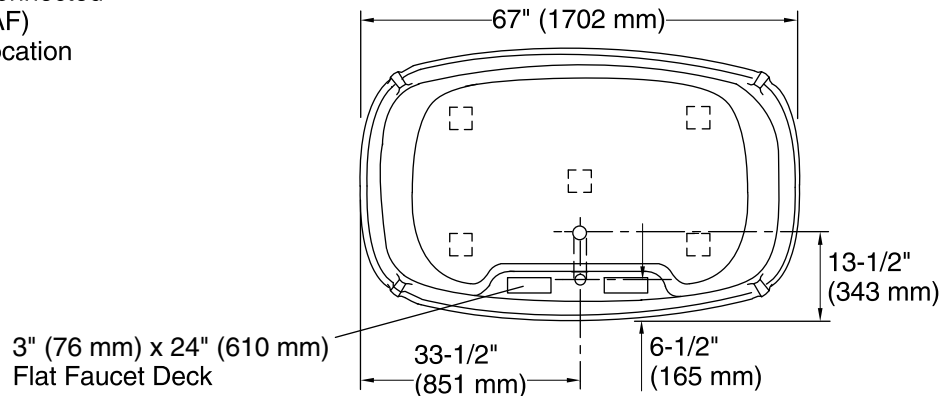
#### Available Colors/Finishes

*Color tiles intended for reference only.*

Color	Code	Description
	0	White
	96	Biscuit
	47	Almond

No change in measurement if connected with drain illustrated. (K-7161-AF)

□ Recommended Faucet Location



### Technical Information

All product dimensions are nominal.

Installation:	Drop-in
Drain location:	Center
Basin area, bottom:	50" x 29" (1270 mm x 737 mm)
Basin area, top:	61" x 32" (1549 mm x 813 mm)
Weight:	80 lbs (36.3 kg)
Minimum floor load:	47 lbs/ft <sup>2</sup> (229.5 kg/m <sup>2</sup> )
Water depth:	16" (406 mm)
Water capacity:	98 gal (371 L)
Template:	Drop-in, 113311-7, required, included

### Notes

Measure your actual product for rough-in details. Install this product according to the installation instructions.

The hot water supply should be 70% of the capacity of the bath or greater. Installations will vary.

If installing a rim-mount faucet, make sure there is no interference above or below the deck before drilling any holes.