

Features

- 120 airjets release thousands of bubbles that surround, support, and massage the body.
- Variable-speed blower lets you adjust massage intensity to 18 levels.
- Generous 6-foot length provides an incredibly spacious bathing area.
- Immediate and manual purge cycles remove residual water from air channels after use.
- Center drain.
- Coordinates with other products in the Escale collection.

Material

- Acrylic

Hydrotherapy

- BubbleMassage

Installation

- Freestanding

Required Products/Accessories

K-7219 Bath Drain

Recommended Products/Accessories

K-1601 Bath/Whirlpool Footstop

K-1676 Bath/Pillow

K-922 Wall- Or -Ceiling-Mount Bath Filler

K-923 Wall- Or -Ceiling-Mount Bath Filler

K-24916 Wireless Music Kit



Codes/Standards

ASME A112.19.7/CSA B45.10

CSA B45.5/IAPMO Z124

ASTM E162

ASTM E662

UL 1795

KOHLER® Plastic Baths and Receptors

Lifetime Limited Warranty

KOHLER® Hydrotherapy Components


Five-Year Limited Warranty

See website for detailed warranty information.

Available Colors/Finishes

Color tiles intended for reference only.

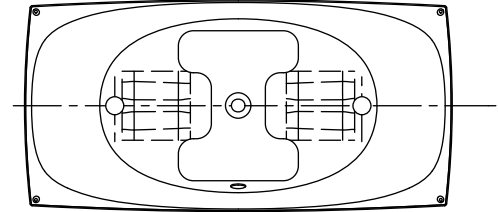
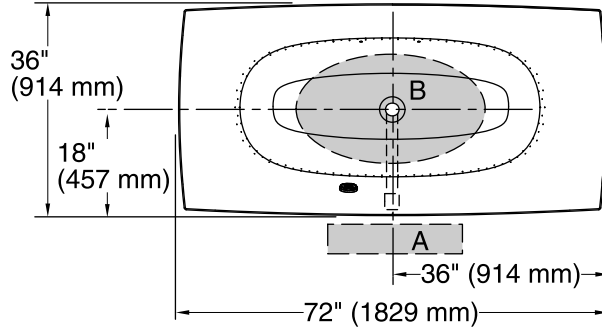
Color Code Description

	0	White
	96	Biscuit

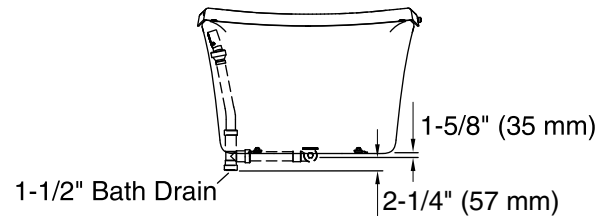
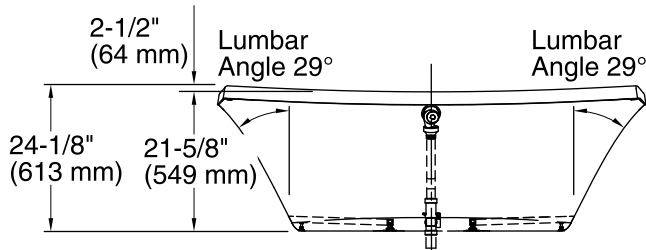
No change in measurements if connected with drain illustrated. (K-7219)

A Recommended floor-mount bath filler location.

B Recommended ceiling-mount bath filler location.



Bottom View



Required Electrical Service

One dedicated circuit required, protected with Class A Ground-Fault Circuit-Interrupter (GFCI). Outside North America, this device may be known as a Residual Current Device (RCD).

Blower: 120 V, 15 A, 60 Hz

Technical Information

All product dimensions are nominal.

Installation: Freestanding
 Drain location: Center
 Basin area, bottom: 46-3/4" x 21-5/8" (1187 mm x 549 mm)
 Basin area, top: 69-15/16" x 34-3/8" (1776 mm x 873 mm)
 Weight: 130 lbs (59 kg)
 Minimum floor load: 41.5 lbs/ft² (202.6 kg/m²)
 Water depth: 16-1/2" (419 mm)
 Water capacity: 71 gal (268.8 L)
 Electrical component rating: Blower: 120 V, 10 A, 60 Hz

Notes

Measure your actual product for rough-in details. Install this product according to the installation instructions.

The hot water supply should be 70% of the capacity of the bath or greater. Installations will vary.

Provide one grounded electrical outlet within 24" (610 mm) of each component.

Blower motor requires remote installation. Relocate the blower motor and check valve together. Do not move one without the other. Provide access for servicing the blower.