

Features

- 120 airjets release thousands of heated bubbles that surround and support the body in a warm massage.
- Variable-speed blower lets you adjust massage intensity to 18 levels.
- Built-in heater.
- Automatic and manual purge cycles remove residual water from air channels after use.
- 60-minute automatic shutoff timer.
- Integral apron with removable access panel.
- Molded lumbar support and armrests offer extra comfort while bathing.
- Keypad control.
- Textured bottom surface.

Material

- Acrylic.

Technology

- Heated BubbleMassage™ technology warms and humidifies air before it enters the bath.

Installation

- Alcove.
- Integral flange.
- Right drain.

Recommended Products/Accessories

- K-1446 Remote Installation Kit
- K-7161-AF 1-1/2" adjustable pop-up drain above- or through-floor
- K-24916 Wireless Music Kit
- K-37380 30" Rough-in Cable Bath Drain
- K-37383 Rough-in cable bath drain, PVC, 30" cable with tubing
- K-1491 Bath/Whirlpool Pillow
- K-1601 Bath/Whirlpool Footstop
- K-7213 27" Cable Bath Drain
- K-7214 27" Cable Bath Drain
- K-7259 Clearflo Bath Drain
- K-9497 2-1/2" Keypad Trim
- K-702200-G54 Frameless Sliding Bath Door
- K-702200-L Frameless Sliding Bath Door
- K-702204-G54 Frameless Sliding Bath Door
- K-702204-L Frameless Sliding Bath Door
- K-702205-L Frameless Sliding Bath Door



Codes/Standards

ASME A112.19.7/CSA B45.10
CSA B45.5/IAPMO Z124
ASTM E162
ASTM E662
UL 1795
CSA C22.2 No. 218.2




KOHLER® Hydrotherapy Components Five-Year Limited Warranty KOHLER® Plastic Baths and Receptors Lifetime Limited Warranty

See website for detailed warranty information.

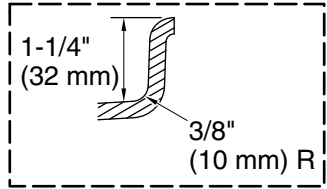
Available Colors/Finishes

Color tiles intended for reference only.

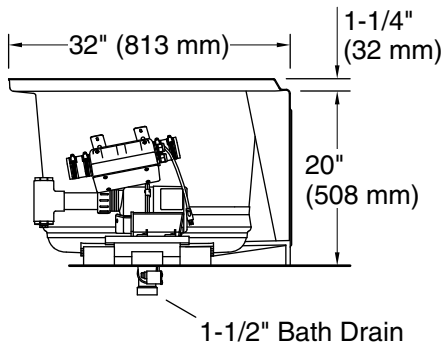
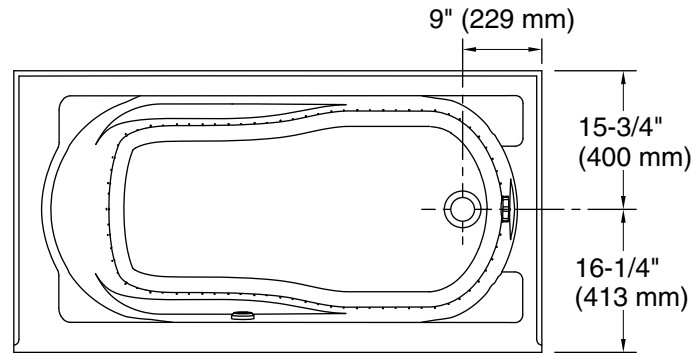
Color Code Description

	0	White
	96	Biscuit
	NY	Dune

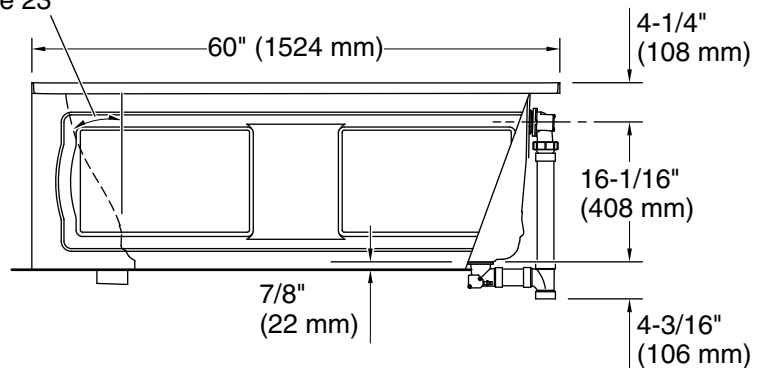
No change in measurements if connected with drain illustrated. (K-7213)



Integral Flange Detail



Lumbar
Angle 23°



Required Electrical Service

Two dedicated circuits required, protected with Class A Ground-Fault Circuit-Interrupter (GFCI). Outside North America, this device may be known as a Residual Current Device (RCD).

Blower: 120 V, 15 A, 60 Hz
Air bath: 120 V, 15 A, 60 Hz

Technical Information

All product dimensions are nominal.

Installation: Three-wall alcove
Drain location: Right
Basin area, bottom: 42" x 20" (1067 mm x 508 mm)
Basin area, top: 51" x 24" (1295 mm x 610 mm)
Weight: 139.5 lbs (63.3 kg)
Minimum floor load: 47 lbs/ft² (229.5 kg/m²)
Water depth: 14-1/2" (368 mm)
Water capacity: 60 gal (227.1 L)
Electrical component rating: Blower: 120 V, 10 A, 60 Hz
Air bath: 120 V, 5 A, 60 Hz
Minimum flat for door: 2-1/2" (64 mm)

Notes

Measure your actual product for rough-in details. Install this product according to the installation instructions.

The hot water supply should be 70% of the capacity of the bath or greater. Installations will vary.