

Features

- 0.35 gpm (1.3 lpm) maximum flow rate at 60 psi (4.14 bar)
- Factory-set 30-second maximum continual run cycle
- Vandal-resistant aerator
- 24" (610 mm) flexible supply hose for easy installation
- 5" (127 mm) spout reach
- Includes two AAA batteries
- Stationary spout
- Without temperature mixer
- Less drain

Material

- Brass

Installation

- Single-hole mounting
- Above-counter battery and valve for easy installation and maintenance



ADA **CSA B651** **OBC**

Codes/Standards

ASME A112.18.1/CSA B125.1
NSF/ANSI/CAN 372
All applicable US Federal and State material regulations
DOE - Energy Policy Act 1992
California Energy Commission (CEC)
ADA
ICC/ANSI A117.1
CSA B651
OBC

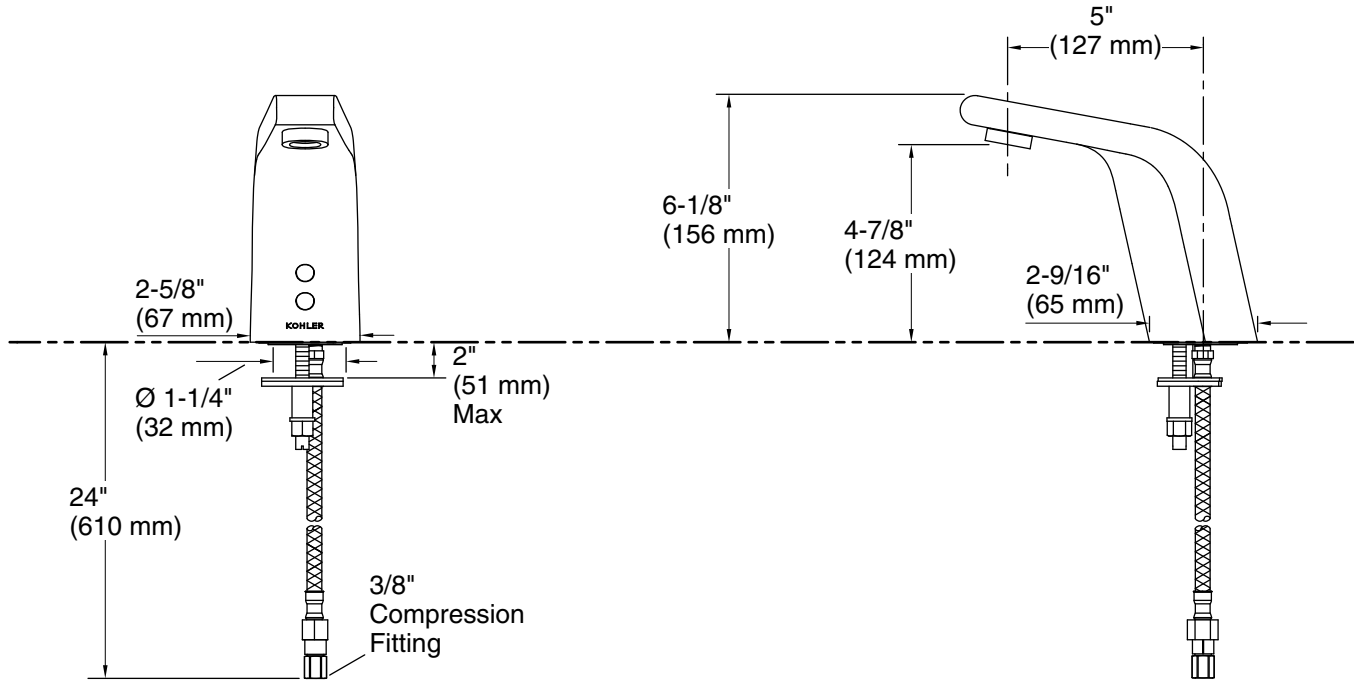
KOHLER® Electronic Faucets, Valves, and Controls Five-Year Limited Warranty

See website for detailed warranty information.

Available Colors/Finishes

Color tiles intended for reference only.

Color	Code	Description
	CP	Polished Chrome



Technical Information

All product dimensions are nominal.

Faucet:

Flow rate: 0.35 gal/min (1.3 l/min)

Drain included: No

Drain with overflow: Yes

Spout:

Spout reach: 4-15/16" (125 mm)

Notes

Install this product according to the installation instructions.

ADA, OBC, CSA B651 compliant when installed to the specific requirements of these regulations.