

Features

- Single-speed whirlpool offers performance and value, with 8 fully adjustable jets.
- Hydromassage flow and direction can be controlled at each jet.
- Oval shape creates a graceful and spacious bathing experience.
- Textured bottom surface

Material

- Acrylic

Hydrotherapy

- Whirlpool

Installation

- Drop-in

Additional Hydrotherapy Options

- Soaking Bath - 1183-0
- BubbleMassage air bath - 1337-G
- Whirlpool - 1337-0
- Whirlpool + heater - 1337-H

Recommended Products/Accessories

K-1491 Bath/Whirlpool Pillow
K-7166-AF Bath Drain
K-24916 Wireless Music Kit
K-7213 27" Cable Bath Drain
K-7214 27" Cable Bath Drain
K-7265 Clearflo Bath Drain
K-7161-AF Bath Drain



Codes/Standards

ASME A112.19.7/CSA B45.10
CSA B45.5/IAPMO Z124
ASTM E162
ASTM E662
UL 1795




**KOHLER® Plastic Baths and Receptors
Lifetime Limited Warranty
KOHLER® Hydrotherapy Components
Five-Year Limited Warranty**

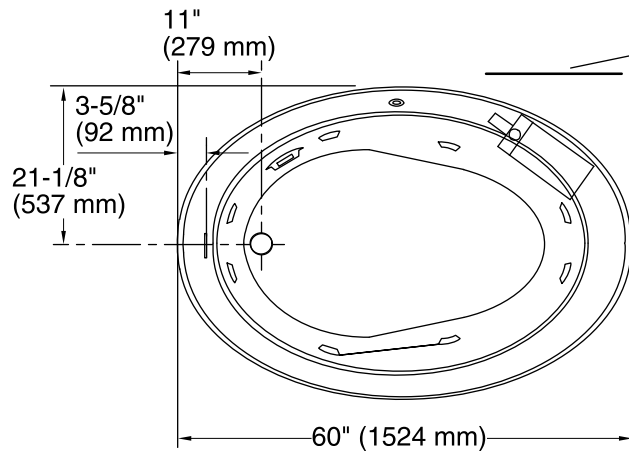
See website for detailed warranty information.

Available Colors/Finishes

Color tiles intended for reference only.

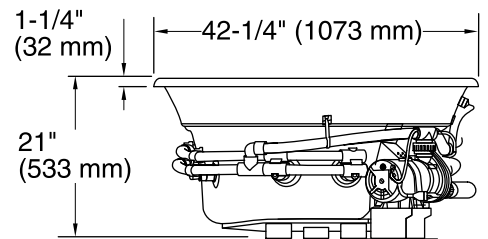
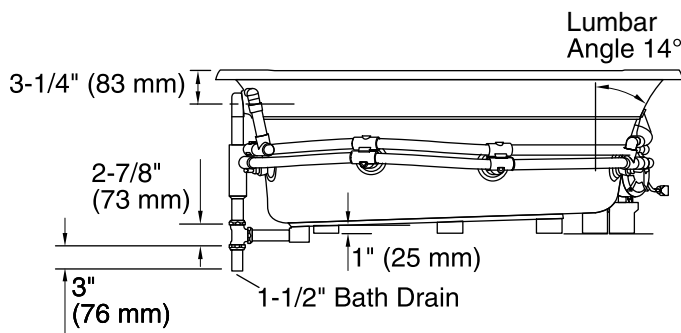
Color	Code	Description
-------	------	-------------

	0	White
	96	Biscuit
	47	Almond



Pump/ Control Access
20" (508 mm) W x 15" (381 mm) H Min

No change in measurements if connected with drain illustrated. (K-7166-AF)



Required Electrical Service

One dedicated circuit required, protected with Class A Ground-Fault Circuit-Interrupter (GFCI). Outside North America, this device may be known as a Residual Current Device (RCD).

Pump: 120 V, 15 A, 60 Hz

Technical Information

All product dimensions are nominal.

Installation:	Drop-in
Drain location:	End
Basin area, bottom:	42" x 28" (1067 mm x 711 mm)
Basin area, top:	55" x 40" (1397 mm x 1016 mm)
Weight:	110 lbs (49.9 kg)
Minimum floor load:	43 lbs/ft ² (209.9 kg/m ²)
Water depth:	15-1/2" (394 mm)
Water capacity:	73 gal (276.3 L)
Template:	Drop-in, 1017044-7, required, included
Electrical component rating:	Pump: 120 V, 7.5 A, 60 Hz
Pump speed:	Single

Notes

Measure your actual product for rough-in details. Install this product according to the installation instructions.

The hot water supply should be 70% of the capacity of the bath or greater. Installations will vary.