

## Features

- Single-speed whirlpool offers performance and value, with 8 fully adjustable jets.
- Hydromassage flow and direction can be controlled at each jet.
- Built-in heater.
- Oval shape creates a graceful and spacious bathing experience.
- Textured bottom surface
- Multiple pump location options give you more choices for installation and access. (See specification sheet for pump locations.)

## Material

- Acrylic

## Hydrotherapy

- Whirlpool

## Installation

- Drop-in

## Recommended Products/Accessories

K-1491 Bath/Whirlpool Pillow  
K-7166-AF Bath Drain  
K-9698 Flexjet® Whirlpool Trim Kit  
K-24916 Wireless Music Kit  
K-7213 27" Cable Bath Drain  
K-7214 27" Cable Bath Drain



## Codes/Standards

ASME A112.19.7/CSA B45.10  
CSA B45.5/IAPMO Z124  
ASTM E162  
ASTM E662  
UL 1795




**KOHLER® Plastic Baths and Receptors  
Lifetime Limited Warranty  
KOHLER® Hydrotherapy Components  
Five-Year Limited Warranty**

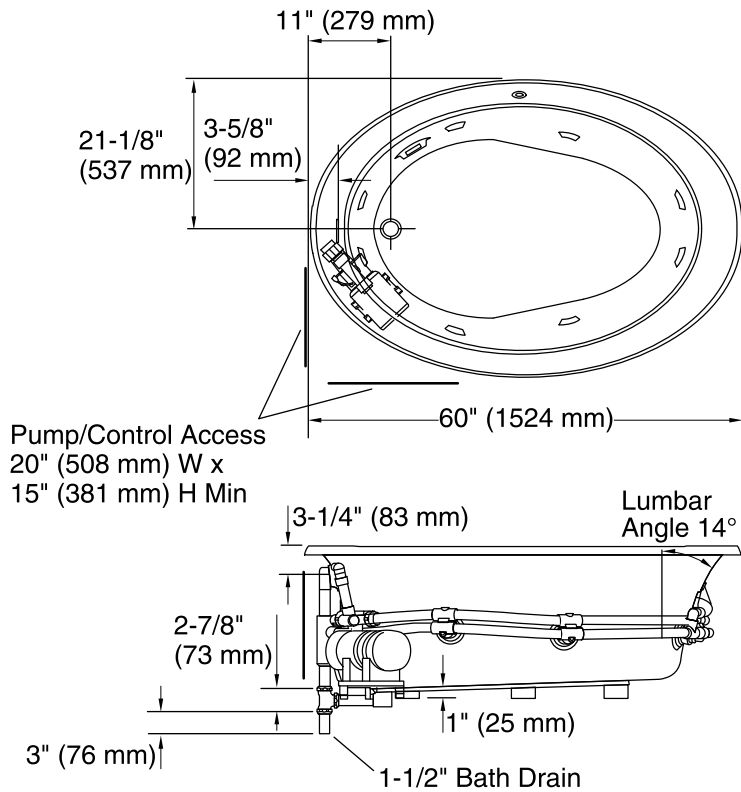
See website for detailed warranty information.

## Available Colors/Finishes

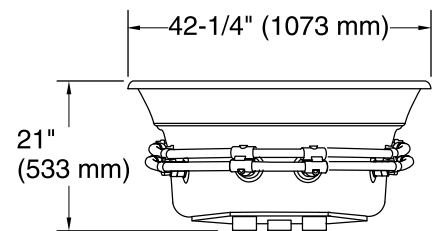
*Color tiles intended for reference only.*

| Color | Code | Description |
|-------|------|-------------|
|-------|------|-------------|

|  |    |         |
|--|----|---------|
|  | 0  | White   |
|  | 96 | Biscuit |
|  | 47 | Almond  |



No change in measurements if connected with drain illustrated. (K-7166-AF)



## Required Electrical Service

Two dedicated circuits required, protected with Class A Ground-Fault Circuit-Interrupter (GFCI). Outside North America, this device may be known as a Residual Current Device (RCD).

Pump: 120 V, 15 A, 60 Hz  
Heater: 120 V, 15 A, 60 Hz

## Technical Information

All product dimensions are nominal.

Installation: Drop-in  
Drain location: End  
Basin area, bottom: 42" x 28" (1067 mm x 711 mm)  
Basin area, top: 55" x 40" (1397 mm x 1016 mm)  
Weight: 115 lbs (52.2 kg)  
Minimum floor load: 43 lbs/ft<sup>2</sup> (209.9 kg/m<sup>2</sup>)  
Water depth: 15-1/2" (394 mm)  
Water capacity: 73 gal (276.3 L)  
Template: Drop-in, 1017044-7, required, included  
Electrical component rating: Pump: 120 V, 7.5 A, 60 Hz  
Heater: 120 V, 12.5 A, 60 Hz, 1500 W  
Pump speed: Single

## Notes

Measure your actual product for rough-in details. Install this product according to the installation instructions.

The hot water supply should be 70% of the capacity of the bath or greater. Installations will vary.

Provide one grounded electrical outlet within 24" (610 mm) of each component.