

Features

- Kinesis® technology with concealed sensor allows for a clean aesthetic and provides extraordinarily accurate and reliable actuation in varying installation environments
- Below-counter valving reduces the faucet footprint and provides easier service
- Design-forward aesthetic for commercial bathroom spaces
- 0.5 gpm (1.9 lpm) maximum flow rate
- Requires K-13480 single or K-13481 multiple AC adapter unit
- On-demand usage with 30-second max. continual run cycle to prevent vandalism and save water
- Vandal-resistant aerated outlet
- 18" (457 mm) stainless steel braided flexible supply hose for easy installation
- 9-1/2" (241 mm) spout reach
- Includes spout assembly, grid drain, control box assembly, supply hose, and standard mounting hardware
- Concealed mechanical mixer sold separately
- Complies with the Safe Drinking Water Act (SDWA)

Material

- Brass spout

Installation

- Wall-mount

Included Components

K-7129-A Drain



ADA

CSA B651

OBC

Codes/Standards

ASME A112.18.1/CSA B125.1

NSF/ANSI/CAN 61

NSF/ANSI/CAN 372

All applicable US Federal and State material regulations

DOE - Energy Policy Act 1992

California Energy Commission (CEC)

ADA

ICC/ANSI A117.1

CSA B651

OBC

IAPMO Certification

KOHLER® One-Year Limited Warranty

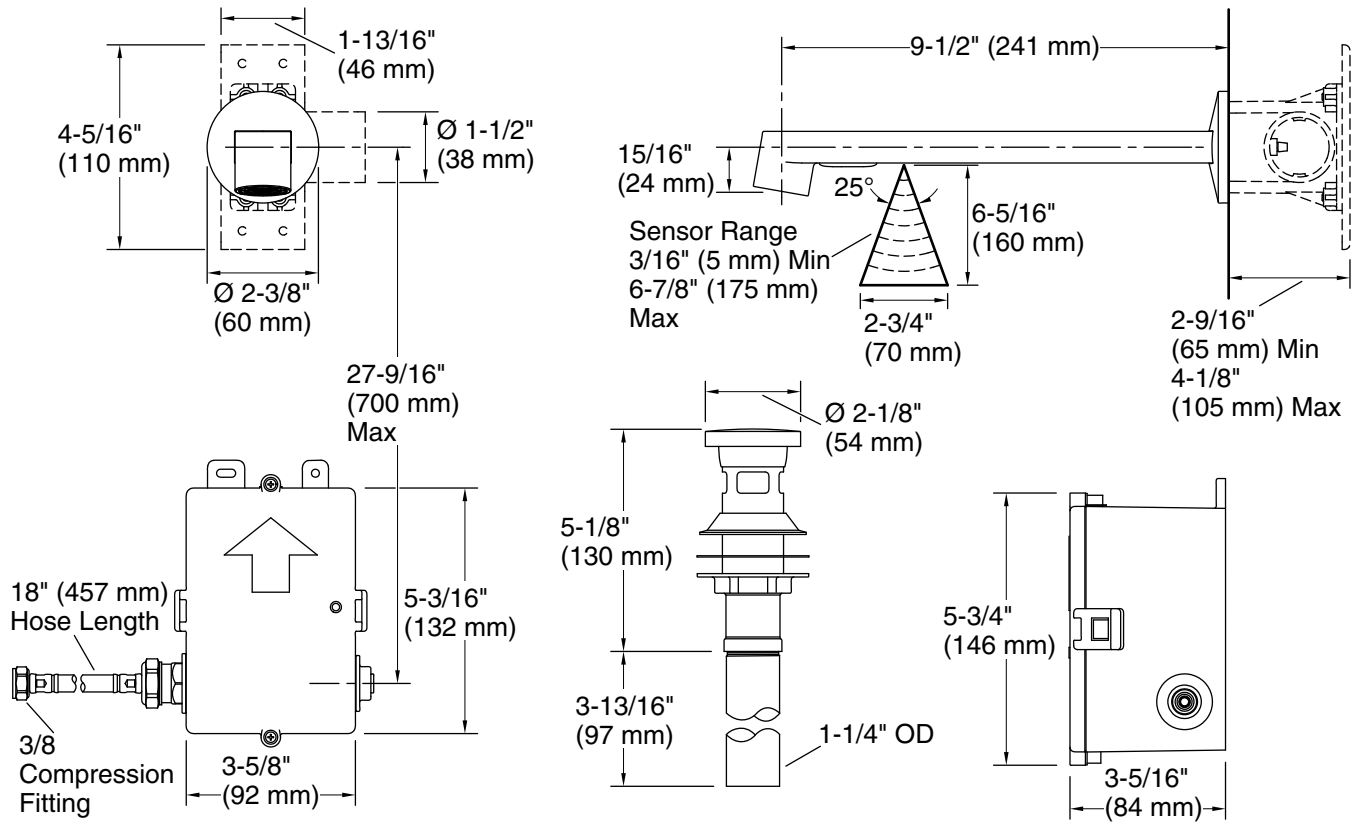
See website for detailed warranty information.

Available Colors/Finishes

Color tiles intended for reference only.

Color Code Description

■ CP Polished Chrome



Technical Information

All product dimensions are nominal.

Drain included: Yes

Drain with overflow: Yes

Spout:

Spout reach: 9-1/16" (230 mm)

Notes

Install this product according to the installation guide.

ADA, OBC, CSA B651 compliant when installed to the specific requirements of these regulations.