

### Features

- Bask® heated surface creates spa-like relaxation with soothing warmth on your back and neck.
- Three heat settings allow you to customize the surface temperature.
- 120 airjets release thousands of bubbles that surround, support, and massage the body.
- Variable-speed blower lets you adjust massage intensity to 18 levels.
- Hourglass shape adds style and elegance to your bathroom.
- Integral apron.
- Integral flange helps prevent water from seeping behind wall and simplifies alcove installation.
- Textured bottom surface
- Immediate and manual purge cycles remove residual water from air channels after use.
- Left-hand drain.

### Material

- Acrylic

### Hydrotherapy

- BubbleMassage

### Installation

- Three-wall alcove.

### Additional Hydrotherapy Options

- Soaking Bath - 1242-LA
- Soaking Bath + Bask heated surface - 1242-LAW
- BubbleMassage air bath - 1239-GLA
- VibrAcoustic - 1239-VBLA
- VibrAcoustic + Bask heated surface - 1239-VBLAW
- Whirlpool - 1239-LA
- Whirlpool + heater - 1239-HL
- Whirlpool + Bask heated surface - 1239-LAW

### Recommended Products/Accessories

K-1446 Remote Installation Kit  
K-1491 Bath/Whirlpool Pillow  
K-1601 Bath/Whirlpool Footstop  
K-7166-AF Bath Drain  
K-24916 Wireless Music Kit  
K-37380 30" Rough-in Cable Bath Drain  
K-37383 30" Rough-in Cable Bath Drain  
K-37386 rough-in cable drain, PVC, 30" cable



### Codes/Standards






ASME A112.19.7/CSA B45.10  
CSA B45.5/IAPMO Z124  
ASTM E162  
ASTM E662  
UL 1795

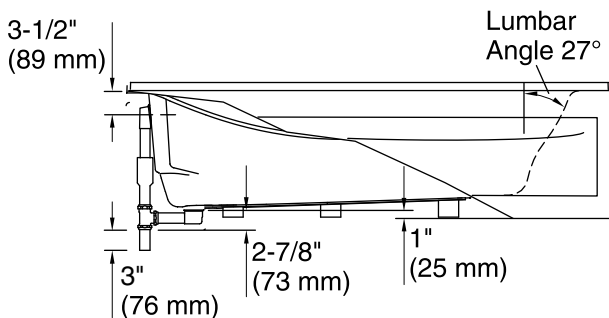
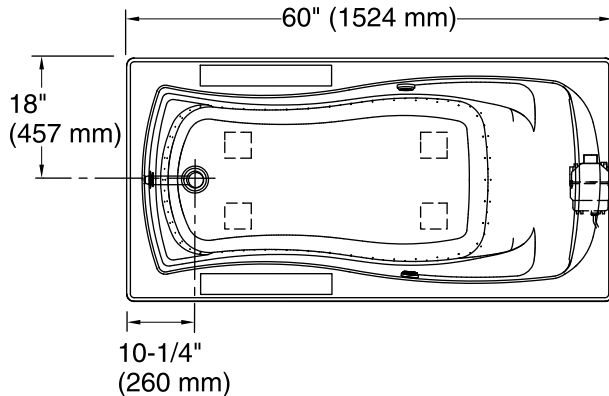
**KOHLER® Plastic Baths and Receptors  
Lifetime Limited Warranty  
KOHLER® Hydrotherapy Components  
Five-Year Limited Warranty**

See website for detailed warranty information.

### Available Colors/Finishes

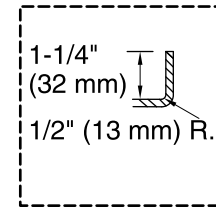
*Color tiles intended for reference only.*

| Color  | Code | Description |
|--|------|-------------|
|  | 0    | White       |
|  | 96   | Biscuit     |
|  | 47   | Almond      |
|  | NY   | Dune        |
|  | G9   | Sandbar     |



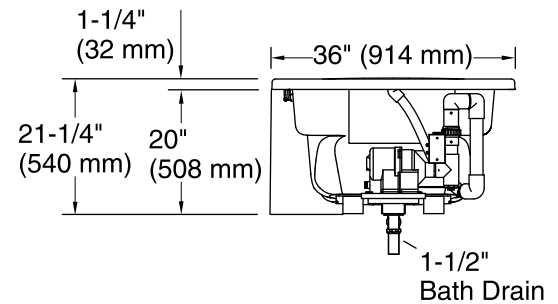
No change in measurements if connected with drain illustrated. (K-7166-AF)

□ Recommended Faucet Location



**Integral Flange Detail**

**Blower Access**  
30" (762 mm) W x  
15" (381 mm) H



### Required Electrical Service

One dedicated circuit required, protected with Class A Ground-Fault Circuit-Interrupter (GFCI). Outside North America, this device may be known as a Residual Current Device (RCD).

Blower, Heated      120 V, 15 A, 60 Hz  
Surface:

### Technical Information

All product dimensions are nominal.

|                              |   |
|------------------------------|---|
| Installation:                | Three-wall alcove   |
| Drain location:              | Left  |
| Basin area, bottom:          | 46" x 24" (1168 mm x 610 mm)  |
| Basin area, top:             | 54" x 27" (1372 mm x 686 mm)  |
| Weight:                      | 115 lbs (52.2 kg)   |
| Minimum floor load:          | 44 lbs/ft <sup>2</sup> (214.8 kg/m <sup>2</sup> )                       |
| Water depth:                 | 14" (356 mm)  |
| Water capacity:              | 63 gal (238.5 L)  |
| Electrical component rating: | Blower: 120 V, 10 A, 60 Hz<br>Heated Surface: 120 V, 0.5 A, 60 Hz, 65 W |
| Blower speed:                | Variable  |
| Minimum flat for door:       | 2" (50 mm)  |

### Notes

Measure your actual product for rough-in details. Install this product according to the installation instructions.

The hot water supply should be 70% of the capacity of the bath or greater. Installations will vary.

Remote blower installation kit K-1446 is available for relocating the blower. Provide access for servicing the blower.

Do not relocate or alter the PVC tee or coiled flexible tubing connected to the blower. Follow the blower relocation instructions exactly.

If installing a rim-mount faucet, make sure there is no interference above or below the deck before drilling any holes.