

Features

- 45"L x 37-1/4"W x 84"H
- One-piece module for installation ease
- Grab bars in brushed stainless steel and slip-resistant floor for added safety
- Fold-up seat on right side
- Center rear drain
- Fits slide bar 24" and under

Recommended Products/Accessories

K-9132 Shower Drain
K-1665 Shower Light



ADA

Codes/Standards

CSA B45.5/IAPMO Z124
ASTM E162
ASTM E662
ADA
ICC/ANSI A117.1




KOHLER® Plastic Baths and Receptors Lifetime Limited Warranty

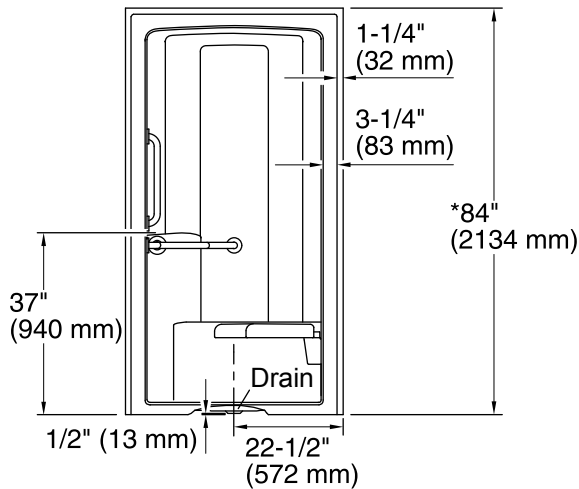
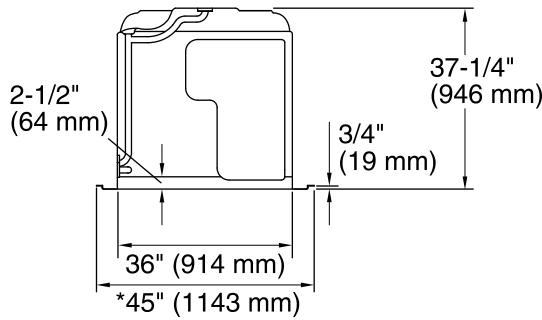
See website for detailed warranty information.

Available Colors/Finishes

Color tiles intended for reference only.

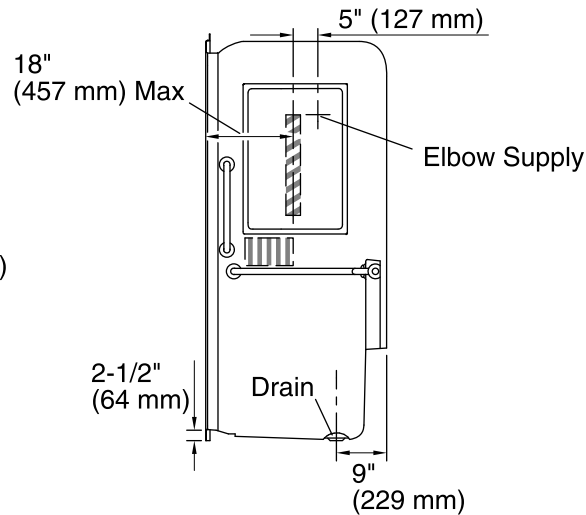
Color	Code	Description
-------	------	-------------

	0	White
	96	Biscuit
	47	Almond



*Recess opening must be 45-1/4" (1149 mm) x 84-1/4" (2140 mm).

	Represents control area for faucets
	Represents 24" (610 mm) wall mount slide bar.
	Represents clear floor space for 36" (914 mm) x 48" (1219 mm).



Technical Information

All product dimensions are nominal.

Installation: Three-wall alcove

Drain location: Center rear

Drain hole diameter: 3-3/8" (86 mm)

Weight: 170 lbs (77.1 kg)

Notes

Measure your actual product for rough-in details.

Install this product according to the installation instructions.

Stud opening tolerance + 1/4" (6 mm).

When fire rated construction is specified, dimensions are to the inside of the fire-rated wall.

For increased accessibility, utilize "pit" installation as detailed in installation guide.

Some shimming between stud frame and fixture may be required.

For optimum accessibility, specify faucets and fittings to install and operate within the control area shown.

The fixture is not drilled for supply fittings.

Shimming may be required to level the fixture.

ADA compliant when installed to the specific requirements of these regulations.