

### Features

- Bask® heated surface creates spa-like relaxation with soothing warmth on your back and neck.
- Three heat settings allow you to customize the surface temperature.
- Molded lumbar support and armrests offer extra comfort while bathing.
- Textured bottom surface
- Reversible drain.
- Coordinates with other products in the Devonshire collection.

### Material

- Acrylic

### Installation

- Drop-in

### Additional Hydrotherapy Options

- Soaking Bath - K-1184-0
- Soaking Bath + Bask heated surface - K-1184-W1
- BubbleMassage air bath - K-1357-G
- BubbleMassage air bath + Bask heated surface - K-1357-GW
- VibrAcoustic - K-1357-VB
- VibrAcoustic + Bask heated surface - K-1357-VBW
- Whirlpool - K-1357-0
- Whirlpool + Bask heated surface - K-1357-W1
- Whirlpool + heater - K-1357-H

### Recommended Products/Accessories

K-1491 Bath/Whirlpool Pillow  
 K-1601 Bath/Whirlpool Footstop  
 K-7161-AF Bath Drain  
 K-7213 27" Cable Bath Drain  
 K-7214 27" Cable Bath Drain  
 K-7259 Clearflo Bath Drain  
 K-24916 Wireless Music Kit  
 K-37380 30" Rough-in Cable Bath Drain  
 K-37383 30" Rough-in Cable Bath Drain  
 K-706000-D3 Frameless Sliding Bath Door  
 K-706000-L Frameless Sliding Bath Door  
 K-706003-L Frameless Sliding Bath Door  
 K-706004-D3 Frameless Sliding Bath Door  
 K-706004-L Frameless Sliding Bath Door  
 K-706007-L Frameless Sliding Bath Door  
 K-1177 Vinyl Tiling-in Bead



### Codes/Standards






CSA B45.5/IAPMO Z124  
 ASTM E162  
 ASTM E662  
 UL 1795  
 CSA C22.2 No. 218.2

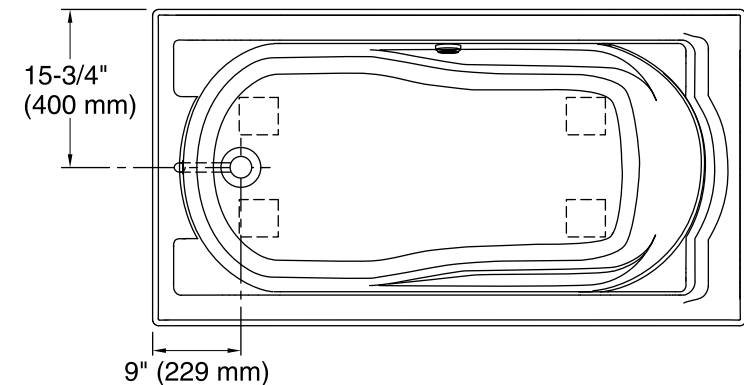
**KOHLER® Plastic Baths and Receptors  
 Lifetime Limited Warranty  
 KOHLER® Hydrotherapy Components  
 Five-Year Limited Warranty**

See website for detailed warranty information.

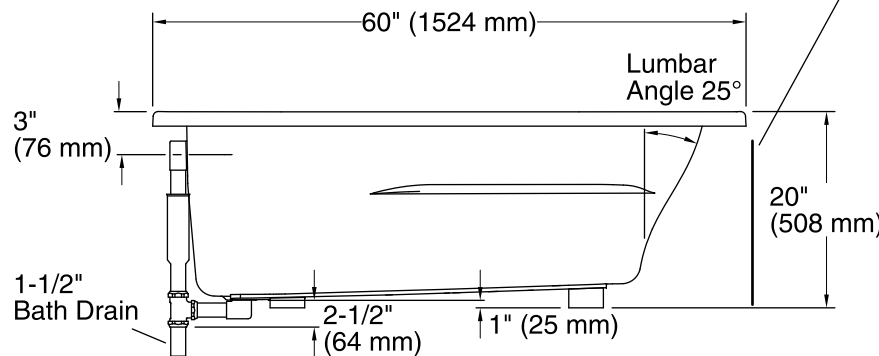
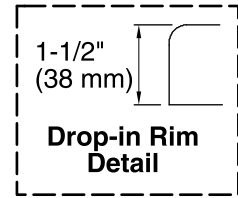
### Available Colors/Finishes

*Color tiles intended for reference only.*

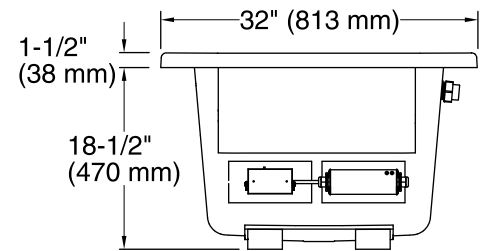
Color	Code	Description
	0	White
	96	Biscuit
	47	Almond
	NY	Dune
	G9	Sandbar



No change in measurements if connected with drain illustrated. (K-7161-AF)



Access Panel  
30" (762 mm) L x 15" (381 mm) H Min



### Required Electrical Service

One circuit required, protected with Class A Ground-Fault Circuit-Interrupter (GFCI). Outside North America, this device may be known as a Residual Current Device (RCD).

Heated Surface: 120 V, 15 A

### Technical Information

All product dimensions are nominal.

Installation:	Drop-in
Drain location:	End
Basin area, bottom:	42" x 20" (1067 mm x 508 mm)
Basin area, top:	51" x 24" (1295 mm x 610 mm)
Weight:	80 lbs (36.3 kg)
Minimum floor load:	41 lbs/ft <sup>2</sup> (200.2 kg/m <sup>2</sup> )
Water depth:	14" (356 mm)
Water capacity:	60 gal (227.1 L)
Electrical component rating:	Heated Surface: 120 V, 0.5 A, 60 Hz, 65 W
Minimum flat for door:	2-1/2" (64 mm)

### Notes

Measure your actual product for rough-in details. Install this product according to the installation instructions.

The hot water supply should be 70% of the capacity of the bath or greater. Installations will vary.