



# Underscore® Rectangle

## 5.5' VibrAcoustic® Bath

### K-1173-VBW

#### Features

- VibrAcoustic calms and soothes with sound vibration technology.
- Six concealed speakers send sound waves through the water to gently massage the body.
- Four original instrumental compositions offer different levels of relaxation.
- Syncs with devices enabled with BLUETOOTH® wireless technology including smartphones, MP3 players, tablets, and laptops located up to 33 feet away.\*
- Customize your experience with the high-resolution color touch screen.
- Fully adjustable volume above and below the water.
- Functions as a hydrotherapy bath when full of water and a stereo system when empty.
- Bask® heated surface creates spa-like relaxation with soothing warmth on your back and neck.
- Three heat settings allow you to customize the surface temperature.
- Clearflo slotted overflow for deep soaking.
- Includes 25 feet of wiring and amplifier.

#### Material

- Acrylic

#### Hydrotherapy

- VibrAcoustic

#### Installation

- Drop-in or under-mount.
- Requires 110V electrical service.

#### Additional Hydrotherapy Options

- Soaking Bath - K-1136-0
- Soaking Bath + Bask heated surface - K-1136-W1
- BubbleMassage air bath - K-1173-G
- BubbleMassage air bath + chromatherapy - K-1173-GCR
- VibrAcoustic + BubbleMassage air bath - K-1173-GVB
- VibrAcoustic + BubbleMassage air bath + Bask heated surface + chromatherapy - K-1173-GVBCW
- BubbleMassage air bath + Bask heated surface - K-1173-GW
- Whirlpool + heater - K-1173-H2
- VibrAcoustic - K-1173-VB
- VibrAcoustic + chromatherapy - K-1173-VBC
- VibrAcoustic + chromatherapy + Bask heated surface - K-1173-VBCW
- VibrAcoustic + Bask heated surface - K-1173-VBW
- Whirlpool + BubbleMassage air bath - K-1173-XH2G

#### Required Products/Accessories

K-7271 Brass Slotted Overflow Bath Drain



#### Codes/Standards

CSA B45.5/IAPMO Z124  
ASTM E162  
ASTM E662  
UL 1795  
CSA C22.2 No. 218.2

#### KOHLER® Plastic Baths and Receptors Lifetime Limited Warranty

See website for detailed warranty information.

The BLUETOOTH® word mark and logos are registered trademarks owned by Bluetooth SIG, Inc. and any use of such marks by Kohler Co. is under license. Other trademarks and trade names are those of their respective owners.

#### Available Colors/Finishes

*Color tiles intended for reference only.*

Color	Code	Description
	0	White
	96	Biscuit
	47	Almond
	NY	Dune
	95	Ice™ Grey
	G9	Sandbar
	K4	Cashmere
	58	Thunder™ Grey
	7	Black Black™

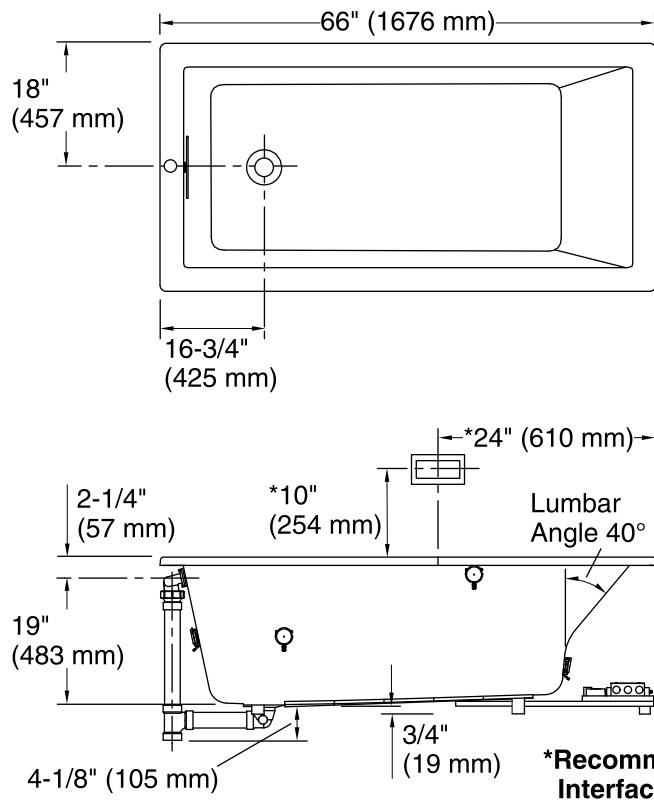
1-800-4KOHLER (1-800-456-4537)

Kohler Co. reserves the right to make revisions without notice to product specifications.

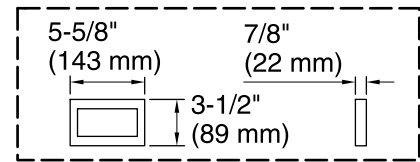
For the most current Specification Sheet, go to [www.kohler.com](http://www.kohler.com).

9-7-2019 06:03 - US/CA

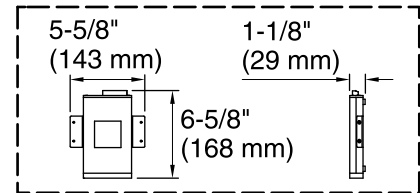
THE BOLD LOOK  
OF **KOHLER**®



No change in measurement if connected with drain illustrated. (K-7272)

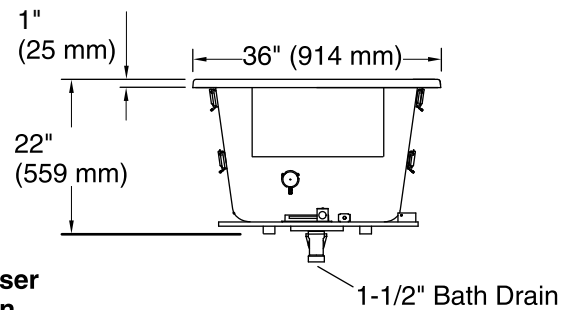


User Interface



Amplifier

Control Access  
 30" (762 mm) W  
 x 15" (381 mm) H  
 Min



### Required Electrical Service

One circuit required, protected with Class A Ground-Fault Circuit-Interrupter (GFCI). Outside North America, this device may be known as a Residual Current Device (RCD).

Amplifier, Heated Surface: 120 V, 15 A, 50/60 Hz

### Technical Information

All product dimensions are nominal.

Installation:	Drop-in, Under-mount
Drain location:	End
Basin area, bottom:	44-1/2" x 26-1/2" (1130 mm x 673 mm)
Basin area, top:	60-1/4" x 30-1/4" (1530 mm x 768 mm)
Weight:	90 lbs (40.8 kg)
Minimum floor load:	60 lbs/ft <sup>2</sup> (292.9 kg/m <sup>2</sup> )
Water depth:	17-3/4" (451 mm)
Water capacity:	102 gal (386.1 L)
Cutout:	Drop-in, 65" x 35" (1651 mm x 889 mm)
Electrical component rating:	Amplifier: 120 V, 1.1 A, 50/60 Hz Heated Surface: 120 V, 0.5 A, 50/60 Hz, 65 W

### Notes

Measure your actual product for rough-in details. Install this product according to the installation instructions.

The hot water supply should be 70% of the capacity of the bath or greater. Installations will vary.

Kit is required for under-mount installations (sold separately).

Control amplifier fits 16" (406 mm) center studs. 25' (7.6 m) cables are included.