



Underscore® Rectangle

5.5' VibrAcoustic® Bath

K-1173-VBC

Features

- VibrAcoustic calms and soothes with sound vibration technology.
- Six concealed speakers send sound waves through the water to gently massage the body.
- Four original instrumental compositions offer different levels of relaxation.
- Syncs with devices enabled with BLUETOOTH® wireless technology including smartphones, MP3 players, tablets, and laptops located up to 33 feet away.*
- Customize your experience with the high-resolution color touch screen.
- Fully adjustable volume above and below the water.
- Functions as a hydrotherapy bath when full of water and a stereo system when empty.
- Chromatherapy lighting allows you to select a preferred color scheme to suit your mood.
- Clearflo slotted overflow for deep soaking.
- Includes 25 feet of wiring and amplifier.

Material

- Acrylic

Hydrotherapy

- VibrAcoustic
- Chromatherapy

Installation

- Drop-in or under-mount.
- Requires 110V electrical service.

Additional Hydrotherapy Options

- Soaking Bath - K-1136-0
- Soaking Bath + Bask heated surface - K-1136-W1
- BubbleMassage air bath - K-1173-G
- BubbleMassage air bath + chromatherapy - K-1173-GCR
- VibrAcoustic + BubbleMassage air bath - K-1173-GVB
- VibrAcoustic + BubbleMassage air bath + Bask heated surface + chromatherapy - K-1173-GVBCW
- BubbleMassage air bath + Bask heated surface - K-1173-GW
- Whirlpool + heater - K-1173-H2
- VibrAcoustic - K-1173-VB
- VibrAcoustic + chromatherapy - K-1173-VBC
- VibrAcoustic + chromatherapy + Bask heated surface - K-1173-VBCW
- VibrAcoustic + Bask heated surface - K-1173-VBW
- Whirlpool + BubbleMassage air bath - K-1173-XH2G

Required Products/Accessories

K-7271 Brass Slotted Overflow Bath Drain



Codes/Standards

CSA B45.5/IAPMO Z124
 ASTM E162
 ASTM E662
 UL 1795
 CSA C22.2 No. 218.2

KOHLER® Plastic Baths and Receptors Lifetime Limited Warranty

See website for detailed warranty information.

The BLUETOOTH® word mark and logos are registered trademarks owned by Bluetooth SIG, Inc. and any use of such marks by Kohler Co. is under license. Other trademarks and trade names are those of their respective owners.

Available Colors/Finishes

Color tiles intended for reference only.

| Color | Code | Description |
|-------|------|---------------|
| | 0 | White |
| | 96 | Biscuit |
| | 47 | Almond |
| | NY | Dune |
| | 95 | Ice™ Grey |
| | G9 | Sandbar |
| | 33 | Mexican Sand™ |
| | K4 | Cashmere |
| | 58 | Thunder™ Grey |
| | 7 | Black Black™ |

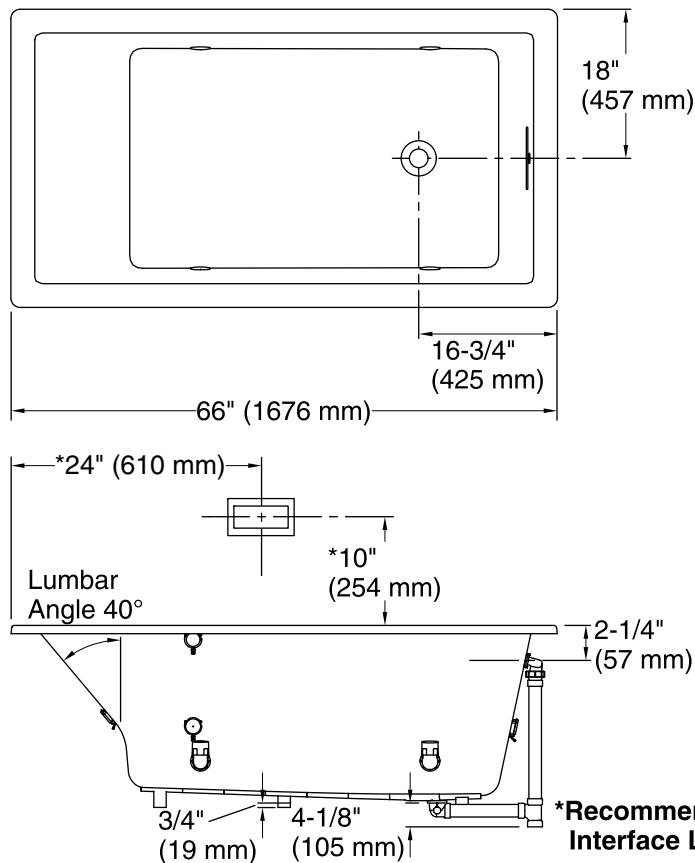
1-800-4KOHLER (1-800-456-4537)

Kohler Co. reserves the right to make revisions without notice to product specifications.

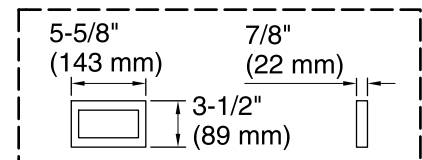
For the most current Specification Sheet, go to www.kohler.com.

9-7-2019 06:03 - US/CA/MX

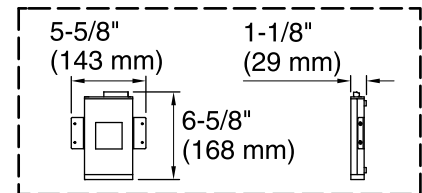




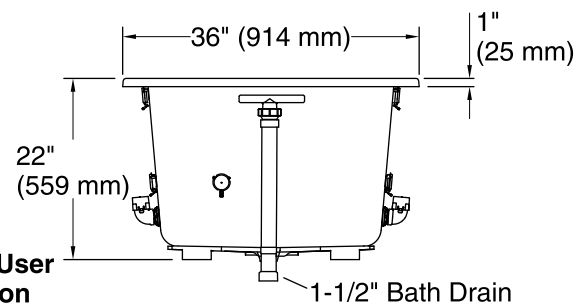
No change in measurements if connected with drain illustrated. (K-7272)



User Interface



Amplifier



Required Electrical Service

One circuit required, protected with Class A Ground-Fault Circuit-Interrupter (GFCI). Outside North America, this device may be known as a Residual Current Device (RCD).

Amplifier: 120 V, 15 A, 50/60 Hz

Technical Information

All product dimensions are nominal.

| | |
|------------------------------|---|
| Installation: | Drop-in, Under-mount |
| Drain location: | End |
| Basin area, bottom: | 44-1/2" x 26-1/2" (1130 mm x 673 mm) |
| Basin area, top: | 60-1/4" x 30-1/4" (1530 mm x 768 mm) |
| Weight: | 85 lbs (38.6 kg) |
| Minimum floor load: | 60 lbs/ft ² (292.9 kg/m ²) |
| Water depth: | 17-3/4" (451 mm) |
| Water capacity: | 102 gal (386.1 L) |
| Cutout: | Drop-in, 65" x 35" (1651 mm x 889 mm) |
| Electrical component rating: | Amplifier: 120 V, 1.1 A, 50/60 Hz |
| Amplifier channels: | 2 at 15 W per channel 2 at 30 W per channel |
| Minimum flat for door: | 2-7/16" (61 mm) |

Notes

Measure your actual product for rough-in details. Install this product according to the installation instructions.

The hot water supply should be 70% of the capacity of the bath or greater. Installations will vary.

Kit is required for under-mount installations (sold separately).

Control amplifier fits 16" (406 mm) center studs. 25' (7.6 m) cables are included.