



# Underscore® Rectangle

## 5.5' BubbleMassage™ Bath

### K-1173-GCW

#### Features

- Bask® heated surface creates spa-like relaxation with soothing warmth on your back and neck.
- Three heat settings allow you to customize the surface temperature.
- 122 airjets release thousands of bubbles that surround, support, and massage the body.
- Variable-speed blower lets you adjust massage intensity to 18 levels.
- Zones of Control™ feature allows you to target massage to back, midsection, or feet.
- Chromatherapy lighting allows you to select a preferred color scheme to suit your mood.
- Lighted keypad.
- Sloping backrest provides comfort.
- Slotted overflow allows for deep soaking.
- Immediate and manual purge cycles remove residual water from air channels after use.
- Requires K-7271 or K-7272 Clearflo slotted overflow bath drain (sold separately).
- Reversible drain.

#### Material

- Acrylic

#### Hydrotherapy

- BubbleMassage
- Chromatherapy

#### Installation

- Drop-in or under-mount.

#### Additional Hydrotherapy Options

- Soaking Bath - 1136-0
- Soaking Bath + Bask heated surface - 1136-W1
- BubbleMassage air bath - 1173-G
- BubbleMassage air bath + chromatherapy - 1173-GCR
- VibrAcoustic + BubbleMassage air bath - 1173-GVB
- VibrAcoustic + BubbleMassage air bath + Bask heated surface + chromatherapy - 1173-GVBCW
- Whirlpool + heater - 1173-H2
- VibrAcoustic - 1173-VB
- VibrAcoustic + chromatherapy - 1173-VBC
- VibrAcoustic + chromatherapy + Bask heated surface - 1173-VBCW
- VibrAcoustic + Bask heated surface - 1173-VBW
- Whirlpool + BubbleMassage air bath - 1173-XH2G

#### Required Products/Accessories

K-7271 Brass Slotted Overflow Bath Drain



#### Codes/Standards

ASME A112.19.7/CSA B45.10  
 CSA B45.5/IAPMO Z124  
 ASTM E162  
 ASTM E662  
 UL 1795  
 CSA C22.2 No. 218.2

**KOHLER® Plastic Baths and Receptors**  
**Lifetime Limited Warranty**  
**KOHLER® Hydrotherapy Components**  
**Five-Year Limited Warranty**

See website for detailed warranty information.

#### Available Colors/Finishes

*Color tiles intended for reference only.*

Color	Code	Description
	0	White
	96	Biscuit
	47	Almond
	NY	Dune
	95	Ice™ Grey
	G9	Sandbar
	K4	Cashmere
	58	Thunder™ Grey
	7	Black Black™

1-800-4KOHLER (1-800-456-4537)

Kohler Co. reserves the right to make revisions without notice to product specifications.

For the most current Specification Sheet, go to [www.kohler.com](http://www.kohler.com).

9-7-2019 06:02 - US/CA



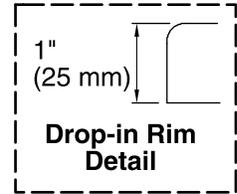
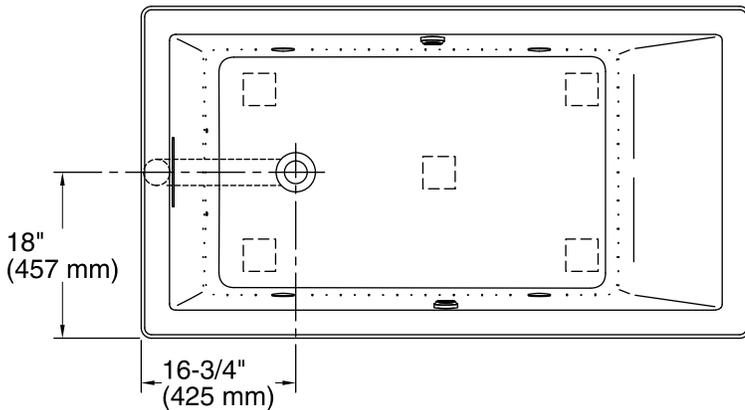


# Underscore® Rectangle

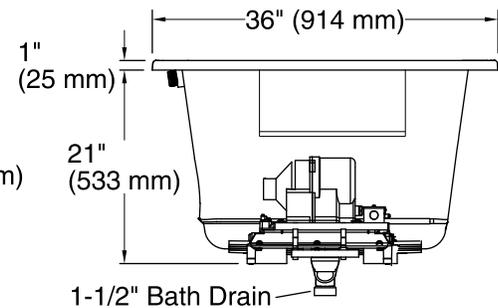
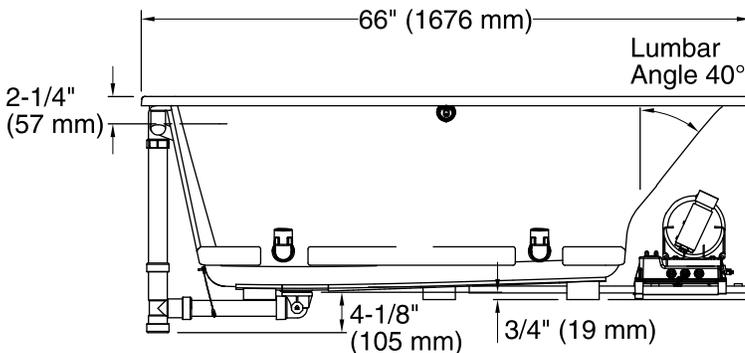
## 5.5' BubbleMassage™ Bath

### K-1173-GCW

No change in measurements if connected with drain illustrated. (K-7272)



Blower Motor/Control Access  
34" (864 mm) W x 15" (381 mm) H Min



### Required Electrical Service

One dedicated circuit required.

Blower, Heated      240 V, 15 A, 50/60 Hz  
Surface:

### Technical Information

All product dimensions are nominal.

Installation:	Drop-in, Under-mount
Drain location:	End
Basin area, bottom:	44-1/2" x 26-1/2" (1130 mm x 673 mm)
Basin area, top:	60-1/4" x 30-1/4" (1530 mm x 768 mm)
Weight:	111 lbs (50.3 kg)
Minimum floor load:	60 lbs/ft <sup>2</sup> (292.9 kg/m <sup>2</sup> )
Water depth:	17-3/4" (451 mm)
Water capacity:	102 gal (386.1 L)
Cutout:	Drop-in, 65" x 35" (1651 mm x 889 mm)
Electrical component rating:	Blower: 240 V, 5 A, 50/60 Hz Heated Surface: 240 V, 0.5 A, 50/60 Hz, 65 W
Blower speed:	Variable
Minimum flat for door:	2-7/16" (61 mm)

### Notes

Measure your actual product for rough-in details. Install this product according to the installation instructions.

The hot water supply should be 70% of the capacity of the bath or greater. Installations will vary.

Kit is required for under-mount installations (sold separately).

If relocating the blower motor, do not relocate or alter the PVC tee or coiled flexible tubing connected to the blower. Follow the blower relocation instructions exactly. Provide access for servicing the blower.