

Features

- 8 hydromassage jets can be individually adjusted for water flow and direction.
- Variable-speed pump for adjusting massage intensity.
- Built-in heater.
- Electronic keypad.
- Spacious design accommodates up to two bathers.
- Multiple pump location options give you more choices for installation and access. (See specification sheet for pump locations.)
- Coordinates with other products in the Memoirs collection.

Material

- Acrylic

Hydrotherapy

- Whirlpool

Installation

- Drop-in

Required Products/Accessories

K-9698 Flexjet® Whirlpool Trim Kit

Recommended Products/Accessories

K-1703 Whirlpool Remote Control

K-7161-AF Bath Drain

K-24916 Wireless Music Kit

K-1491 Bath/Whirlpool Pillow

K-1601 Bath/Whirlpool Footstop

K-7265 Clearflo Bath Drain

K-9497 2-1/2" Keypad Trim



Codes/Standards

ASME A112.19.7/CSA B45.10

CSA B45.5/IAPMO Z124

ASTM E162

ASTM E662

UL 1795

CSA C22.2 No. 218.2






**KOHLER® Plastic Baths and Receptors
Lifetime Limited Warranty
KOHLER® Hydrotherapy Components
Five-Year Limited Warranty**

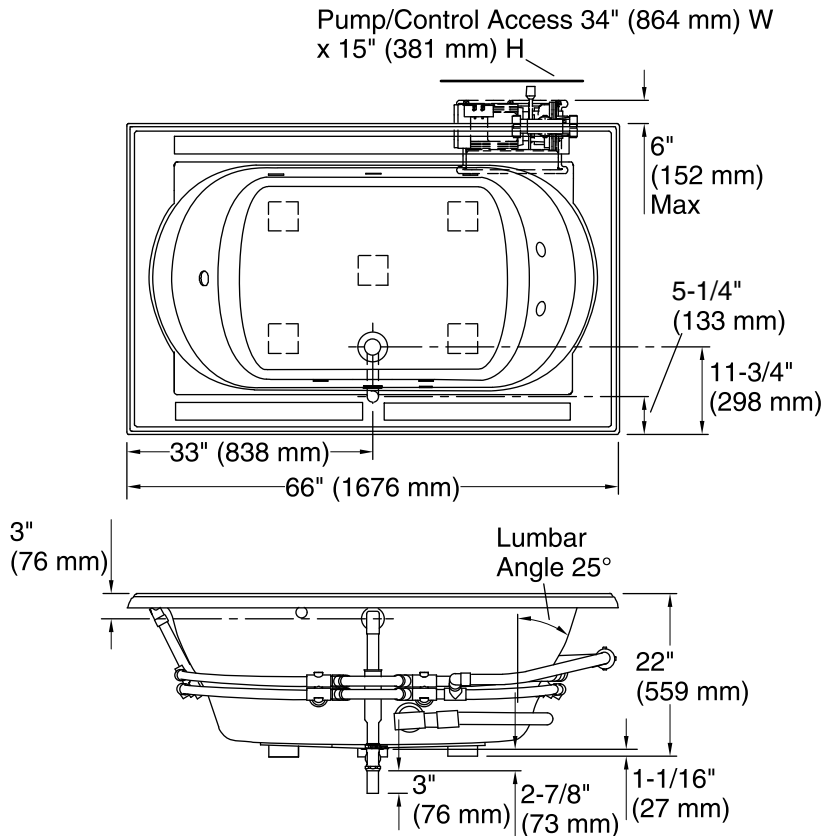
See website for detailed warranty information.

Available Colors/Finishes


Color tiles intended for reference only.

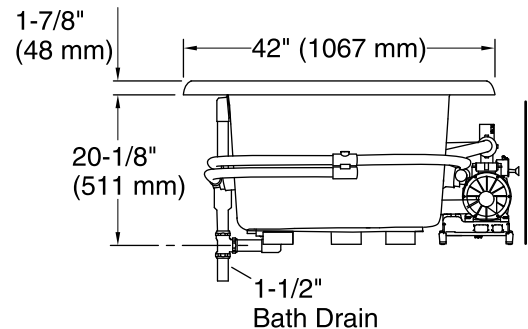
| Color | Code | Description |
|-------|------|-------------|
|-------|------|-------------|

| | | |
|--|----|---------|
|  | 0 | White |
|  | 96 | Biscuit |
|  | 47 | Almond |
|  | NY | Dune |
|  | G9 | Sandbar |



No change in measurements if connected with drain illustrated. (K-7161-AF)

 Recommended Faucet Location



Required Electrical Service

One dedicated circuit required, protected with Class A Ground-Fault Circuit-Interrupter (GFCI). Outside North America, this device may be known as a Residual Current Device (RCD).

Pump, Heater: 240 V, 20 A, 50/60 Hz

Technical Information

All product dimensions are nominal.

| | |
|------------------------------|---|
| Installation: | Drop-in |
| Drain location: | Center rear |
| Basin area, bottom: | 42" x 27" (1067 mm x 686 mm) |
| Basin area, top: | 54" x 30" (1372 mm x 762 mm) |
| Weight: | 134 lbs (60.8 kg) |
| Minimum floor load: | 44 lbs/ft ² (214.8 kg/m ²) |
| Water depth: | 16" (406 mm) |
| Water capacity: | 81 gal (306.6 L) |
| Cutout: | Drop-in, 64-1/2" x 40-1/2" (1638 mm x 1029 mm) |
| Electrical component rating: | Pump: 240 V, 11 A, 50/60 Hz Heater: 240 V, 6 A, 1500 W |
| Pump speed: | Variable |
| Minimum flat for door: | 4-1/4" (108 mm) |

Notes

Measure your actual product for rough-in details. Install this product according to the installation instructions.

The hot water supply should be 70% of the capacity of the bath or greater. Installations will vary.

Pump must be relocated to custom position at the time of installation. Provide adequate clearance.

This whirlpool is designed for drop-in installation only. It is not suited for use in a three wall alcove with an overhead shower.

If installing a rim-mount faucet, make sure there is no interference above or below the deck before drilling any holes.