

Features

- 122 airjets release thousands of bubbles that surround, support, and massage the body.
- Variable-speed blower lets you adjust massage intensity to 18 levels.
- Zones of Control feature allows you to target massage to back, midsection, or feet.
- Chromatherapy lighting allows you to select a preferred color scheme to suit your mood.
- Lighted keypad.
- Molded lumbar support offers extra comfort while bathing.
- Integral flange helps prevent water from seeping behind wall and simplifies alcove installation.
- Slotted overflow allows for deep soaking.
- Immediate and manual purge cycles remove residual water from air channels after use.
- Requires K-7271 or K-7272 Clearflo slotted overflow bath drain (sold separately).
- Right-hand drain.

Material

- Acrylic

Hydrotherapy

- BubbleMassage
- Chromatherapy

Installation

- Three-wall alcove.
- Requires 240V hard-wire electrical service.

Additional Hydrotherapy Options

- Soaking Bath - 1121-R
- Soaking Bath + Bask heated surface - 1121-RW
- BubbleMassage air bath - 1167-RFG
- BubbleMassage air bath + chromatherapy - 1167-RGCR
- VibrAcoustic + BubbleMassage air bath - 1167-GVR
- VibrAcoustic + BubbleMassage air bath + Bask heated surface + chromatherapy - 1167-GVCRW
- Whirlpool + heater - 1167-RH2
- VibrAcoustic - 1167-RVB
- VibrAcoustic + chromatherapy - 1167-RVBC
- VibrAcoustic + chromatherapy + Bask heated surface - 1167-VCRW
- VibrAcoustic + Bask heated surface - 1167-VBRW
- Whirlpool + BubbleMassage air bath - 1167-XH2GR

Required Products/Accessories

K-7271 Brass Slotted Overflow Bath Drain



ADA

Codes/Standards

ASME A112.19.7/CSA B45.10
CSA B45.5/IAPMO Z124
ASTM E162
ASTM E662
UL 1795
CSA C22.2 No. 218.2
ADA
ICC/ANSI A117.1

**KOHLER® Plastic Baths and Receptors
Lifetime Limited Warranty
KOHLER® Hydrotherapy Components
Five-Year Limited Warranty**

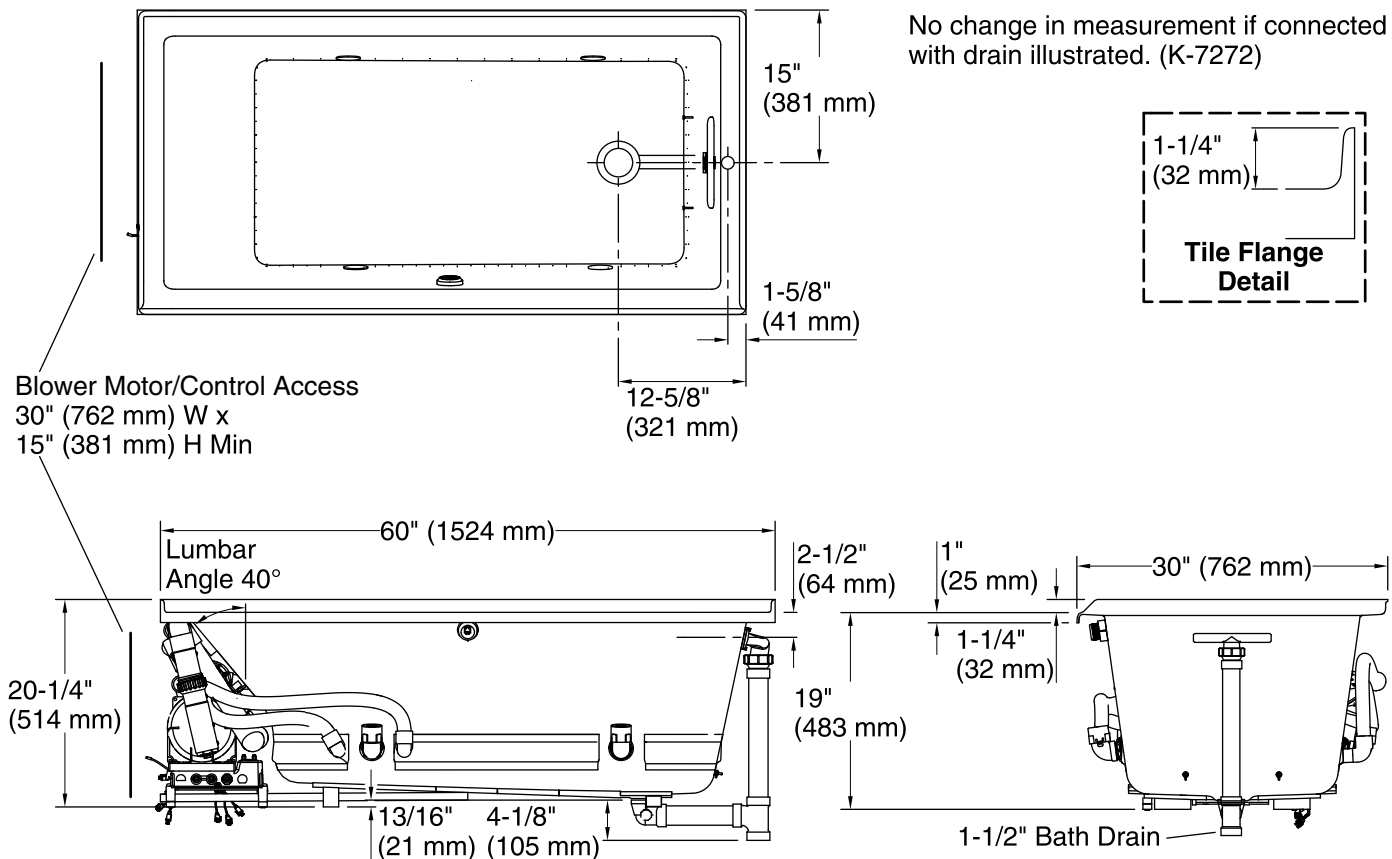
See website for detailed warranty information.

Available Colors/Finishes

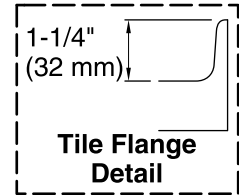
Color tiles intended for reference only.

Color	Code	Description
	0	White
	96	Biscuit
	47	Almond
	NY	Dune
	95	Ice™ Grey
	G9	Sandbar
	33	Mexican Sand™
	K4	Cashmere
	58	Thunder™ Grey

No change in measurement if connected with drain illustrated. (K-7272)



Blower Motor/Control Access
30" (762 mm) W x
15" (381 mm) H Min



Required Electrical Service

One dedicated circuit required, protected with Class A Ground-Fault Circuit-Interrupter (GFCI). Outside North America, this device may be known as a Residual Current Device (RCD).

Blower: 240 V, 15 A, 50/60 Hz

Technical Information

All product dimensions are nominal.

Installation:	Three-wall alcove
Drain location:	Right
Basin area, bottom:	42-3/8" x 20" (1076 mm x 508 mm)
Basin area, top:	54-3/8" x 24-5/16" (1381 mm x 618 mm)
Weight:	100 lbs (45.4 kg)
Minimum floor load:	44 lbs/ft ² (214.8 kg/m ²)
Water depth:	15-1/16" (383 mm)
Water capacity:	59.8 gal (226.4 L)
Electrical component rating:	Blower: 240 V, 15 A, 50/60 Hz
Blower speed:	Variable
Minimum flat for door:	2-1/2" (63 mm)

Notes

Measure your actual product for rough-in details. Install this product according to the installation instructions.

The hot water supply should be 70% of the capacity of the bath or greater. Installations will vary.

If relocating the blower motor, do not relocate or alter the PVC tee or coiled flexible tubing connected to the blower. Follow the blower relocation instructions exactly. Provide access for servicing the blower.

ADA compliant when installed to the specific requirements of these regulations.