

Features

- 60"L x 30"W x 19"H
- Drop-in installation
- Clean simple design lines to coordinate with a variety of products
- Three-sided integral flange
- 8 Flexjet™ whirlpool jets
- 240V hard-wire electrical service required
- 1.5-kW inline heater
- Slotted overflow for a deep bathing experience
- KOHLER Acrylic

Material

- Acrylic

Hydrotherapy

- Whirlpool

Installation

- Three-wall alcove.
- Requires 240V hard-wire electrical service.

Additional Hydrotherapy Options

- Soaking Bath - 1121-L
- Soaking Bath + Bask heated surface - 1121-LW
- BubbleMassage air bath - 1167-LFG
- BubbleMassage air bath + chromatherapy - 1167-LGCR
- VibrAcoustic + BubbleMassage air bath - 1167-GVL
- VibrAcoustic + BubbleMassage air bath + Bask heated surface + chromatherapy - 1167-GVCLW
- Whirlpool + heater - 1167-LH2
- VibrAcoustic - 1167-LVB
- VibrAcoustic + chromatherapy - 1167-LVBC
- VibrAcoustic + chromatherapy + Bask heated surface - 1167-VCLW
- VibrAcoustic + Bask heated surface - 1167-VBLW
- Whirlpool + BubbleMassage air bath - 1167-XH2GL

Required Products/Accessories

K-7271 Brass Slotted Overflow Bath Drain
K-9698 Flexjet® Whirlpool Trim Kit

or

K-7272 PVC Slotted Overflow Bath Drain
K-9698 Flexjet® Whirlpool Trim Kit

Recommended Products/Accessories

K-1491 Bath/Whirlpool Pillow
K-1601 Bath/Whirlpool Footstop
K-1703 Whirlpool Remote Control
K-9497 2-1/2" Keypad Trim



Codes/Standards











ASME A112.19.7/CSA B45.10
CSA B45.5/IAPMO Z124
ASTM E162
ASTM E662
UL 1795
CSA C22.2 No. 218.2

KOHLER® Plastic Baths and Receptors Lifetime Limited Warranty KOHLER® Hydrotherapy Components Five-Year Limited Warranty

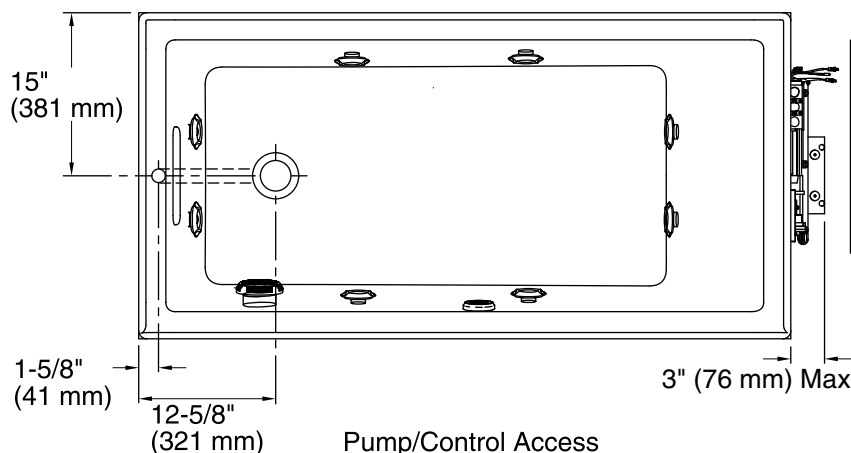
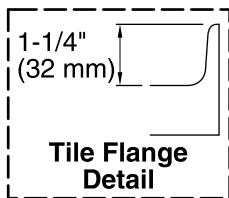
See website for detailed warranty information.

Available Colors/Finishes

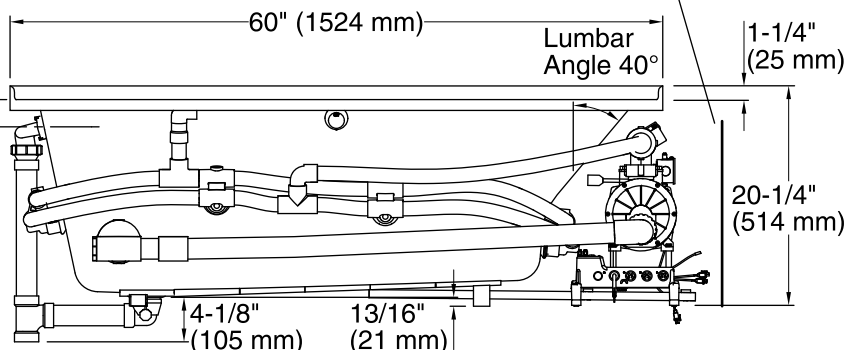
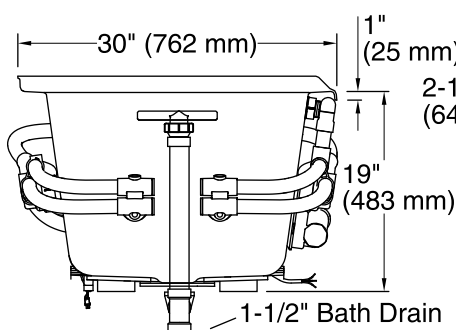
Color tiles intended for reference only.

Color	Code	Description
	0	White
	96	Biscuit
	47	Almond
	NY	Dune
	95	Ice™ Grey
	G9	Sandbar
	33	Mexican Sand™
	K4	Cashmere
	58	Thunder™ Grey
	7	Black Black™

No change in measurement if connected with drain illustrated. (K-7272)



Pump/Control Access
30" (762 mm) W x 15" (381 mm) H Min



Required Electrical Service

One dedicated circuit required, protected with Class A Ground-Fault Circuit-Interrupter (GFCI). Outside North America, this device may be known as a Residual Current Device (RCD).

Pump, Heater: 240 V, 20 A, 50/60 Hz

Technical Information

All product dimensions are nominal.

Installation:	Three-wall alcove
Drain location:	Left
Basin area, bottom:	42-7/16" x 20" (1078 mm x 508 mm)
Basin area, top:	54-5/16" x 24-1/4" (1380 mm x 616 mm)
Weight:	125 lbs (56.7 kg)
Minimum floor load:	46 lbs/ft ² (224.6 kg/m ²)
Water depth:	15-1/8" (384 mm)
Water capacity:	59.8 gal (226.4 L)
Electrical component rating:	Pump: 240 V, 11 A, 50/60 Hz Heater: 240 V, 6.25 A, 50/60 Hz, 1500 W
Pump speed:	Variable
Minimum flat for door:	2-1/2" (63 mm)

Notes

Measure your actual product for rough-in details. Install this product according to the installation instructions.

The hot water supply should be 70% of the capacity of the bath or greater. Installations will vary.