

Features

- Single-speed whirlpool offers performance and value, with 6 fully adjustable jets.
- Hydromassage flow and direction can be controlled at each jet.
- Generous 6-foot oval shape provides an incredibly spacious bathing area.
- Molded lumbar support and armrests offer extra comfort while bathing.
- Multiple pump location options give you more choices for installation and access. (See specification sheet for pump locations.)
- End drain.
- Under-mountable
- Textured bottom surface

Material

- Acrylic

Hydrotherapy

- Whirlpool

Installation

- Drop-in or under-mount.
- Smooth backside for easy handling and mounting of drain and overflow.

Recommended Products/Accessories

K-11677 Bath Drain
K-1491 Bath/Whirlpool Pillow
K-1601 Bath/Whirlpool Footstop
K-577 Under-Mount Installation Kit
K-24916 Wireless Music Kit



Codes/Standards

ASME A112.19.7/CSA B45.10
CSA B45.5/IAPMO Z124
UL 1795




**KOHLER® Plastic Baths and Receptors
Lifetime Limited Warranty
KOHLER® Hydrotherapy Components
Five-Year Limited Warranty**

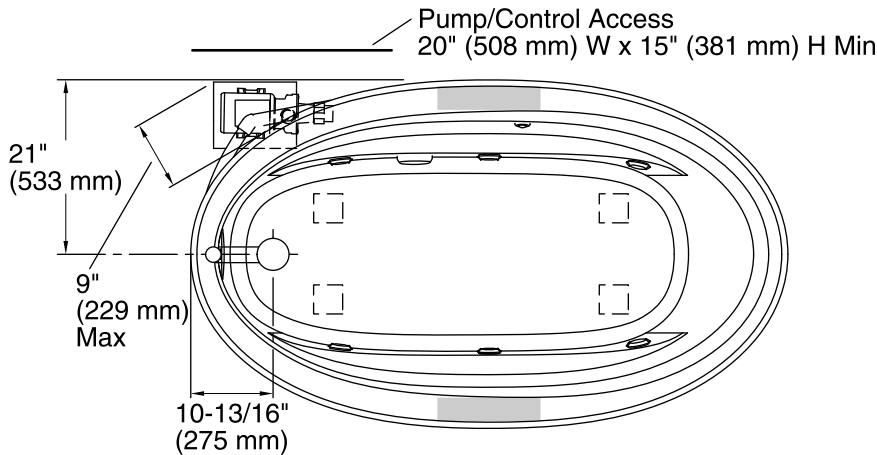
See website for detailed warranty information.

Available Colors/Finishes

Color tiles intended for reference only.

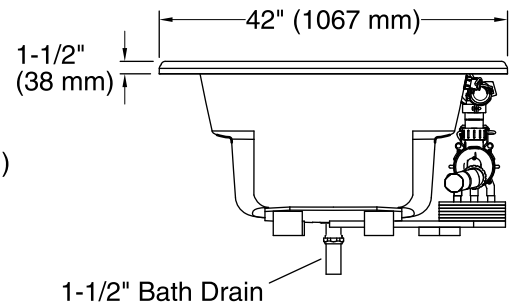
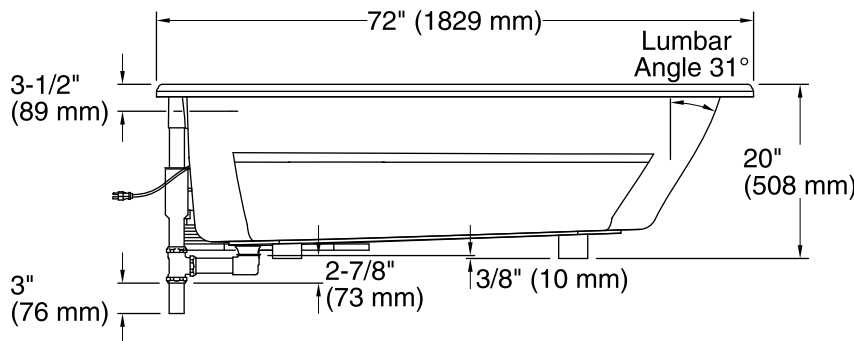
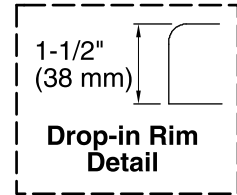
Color	Code	Description
-------	------	-------------

	0	White
	96	Biscuit
	47	Almond



No change in measurements if connected with drain illustrated. (K-11677)

Recommended faucet area



Required Electrical Service

One dedicated circuit required, protected with Class A Ground-Fault Circuit-Interrupter (GFCI). Outside North America, this device may be known as a Residual Current Device (RCD).

Pump: 120 V, 15 A, 60 Hz

Technical Information

All product dimensions are nominal.

Installation:	Drop-in
Drain location:	End
Basin area, bottom:	55-1/4" x 23-1/2" (1403 mm x 597 mm)
Basin area, top:	64-1/2" x 32" (1638 mm x 813 mm)
Weight:	112 lbs (50.8 kg)
Minimum floor load:	36 lbs/ft ² (175.8 kg/m ²)
Water depth:	15" (381 mm)
Water capacity:	75 gal (283.9 L)
Template:	Drop-in, 1042557-7, required, included
Electrical component rating:	Pump: 120 V, 7.5 A, 60 Hz
Pump speed:	Single

Notes

Measure your actual product for rough-in details. Install this product according to the installation instructions.

The hot water supply should be 70% of the capacity of the bath or greater. Installations will vary.

The pump base extends 9" (229 mm) beyond the edge of the rim. Modify the framing as needed.