

Features

- Single-speed whirlpool offers performance and value, with 6 fully adjustable jets.
- Hydromassage flow and direction can be controlled at each jet.
- Built-in heater.
- Oval shape creates a graceful and spacious bathing experience.
- Molded lumbar support and armrests offer extra comfort while bathing.
- End drain.
- Multiple faucet mounting locations for maximum flexibility in faucet placement
- Textured bottom surface

Material

- Acrylic

Hydrotherapy

- Whirlpool

Installation

- Drop-in or under-mount.
- Smooth backside for easy handling and mounting of drain and overflow.

Additional Hydrotherapy Options

- Soaking Bath - 1163-S1
- Soaking Bath + Bask heated surface - 1163-S1W
- BubbleMassage air bath - 1162-S1G
- Whirlpool - 1162-S1
- Whirlpool + heater - 1162-S1H
- Whirlpool + Bask heated surface - 1162-S1W

Recommended Products/Accessories

K-11677 Bath Drain
K-7213 27" Cable Bath Drain
K-7214 27" Cable Bath Drain
K-24916 Wireless Music Kit
K-576 Under-Mount Installation Kit



Codes/Standards

ASME A112.19.7/CSA B45.10
CSA B45.5/IAPMO Z124
UL 1795




**KOHLER® Plastic Baths and Receptors
Lifetime Limited Warranty
KOHLER® Hydrotherapy Components
Five-Year Limited Warranty**

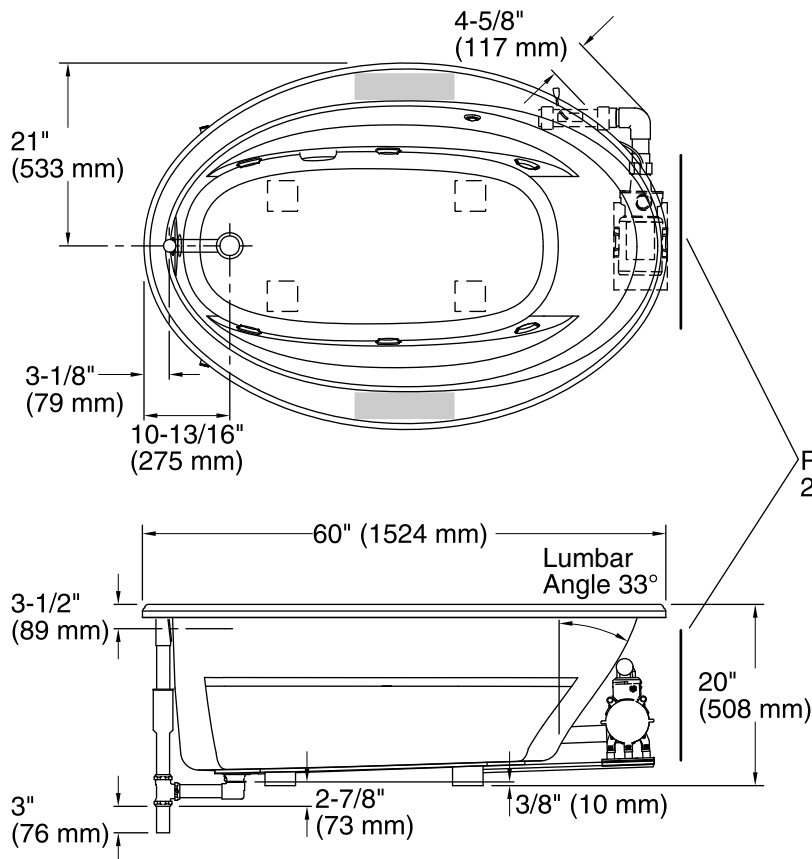
See website for detailed warranty information.

Available Colors/Finishes

Color tiles intended for reference only.

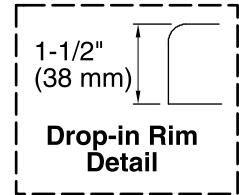
Color Code Description

	0	White
	96	Biscuit
	47	Almond

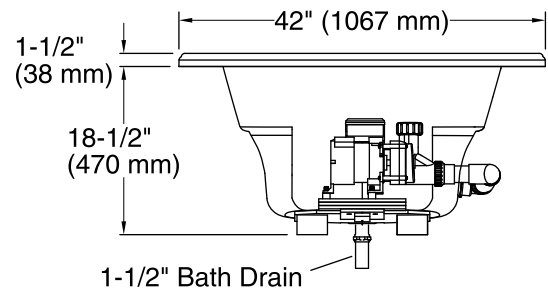


No change in measurements if connected with drain illustrated. (K-11677)

Recommended faucet area



Pump/Control Access
20" (508 mm) W x 15" (381 mm) H



Required Electrical Service

Two dedicated circuits required, protected with Class A Ground-Fault Circuit-Interrupter (GFCI). Outside North America, this device may be known as a Residual Current Device (RCD).

Pump: 120 V, 15 A, 60 Hz
Heater: 120 V, 15 A, 60 Hz

Technical Information

All product dimensions are nominal.

Installation: Drop-in
Drain location: End
Basin area, bottom: 43" x 21-9/16" (1092 mm x 548 mm)
Basin area, top: 53-1/2" x 32-1/8" (1359 mm x 816 mm)
Weight: 110 lbs (49.9 kg)
Minimum floor load: 35 lbs/ft² (170.9 kg/m²)
Water depth: 15" (381 mm)
Water capacity: 57 gal (215.8 L)
Template: Drop-in, 1042556-7, required, included
Electrical component rating: Pump: 120 V, 7.5 A, 60 Hz
Heater: 120 V, 12.5 A, 60 Hz, 1500 W
Pump speed: Single

Notes

Measure your actual product for rough-in details. Install this product according to the installation instructions.

The hot water supply should be 70% of the capacity of the bath or greater. Installations will vary.

Kit is required for under-mount installations (sold separately).

The suction line extends 4-5/8" (117 mm) beyond the edge of the rim. The pump base extends 1/8" (3 mm) beyond the edge of the rim. Modify the framing as needed.