

### Features

- Bask® heated surface creates spa-like relaxation with soothing warmth on your back and neck.
- Three heat settings allow you to customize the surface temperature.
- 120 airjets release thousands of bubbles that surround, support, and massage the body.
- Variable-speed blower lets you adjust massage intensity to 18 levels.
- Oval shape creates a graceful and spacious bathing experience.
- Molded lumbar support and armrests offer extra comfort while bathing.
- End drain.
- Under-mountable

### Material

- Acrylic

### Hydrotherapy

- BubbleMassage

### Installation

- Drop-in or under-mount.

### Additional Hydrotherapy Options

- Soaking Bath - 1163-0
- Soaking Bath + Bask heated surface - 1163-W1
- BubbleMassage air bath - 1162-G
- Whirlpool - 1162-0
- Whirlpool + heater - 1162-H
- Whirlpool + Bask heated surface - 1162-W1

### Recommended Products/Accessories

K-11677 Bath Drain  
K-576 Under-Mount Installation Kit  
K-24916 Wireless Music Kit



### Codes/Standards




ASME A112.19.7/CSA B45.10  
CSA B45.5/IAPMO Z124  
ASTM E162  
ASTM E662  
UL 1795

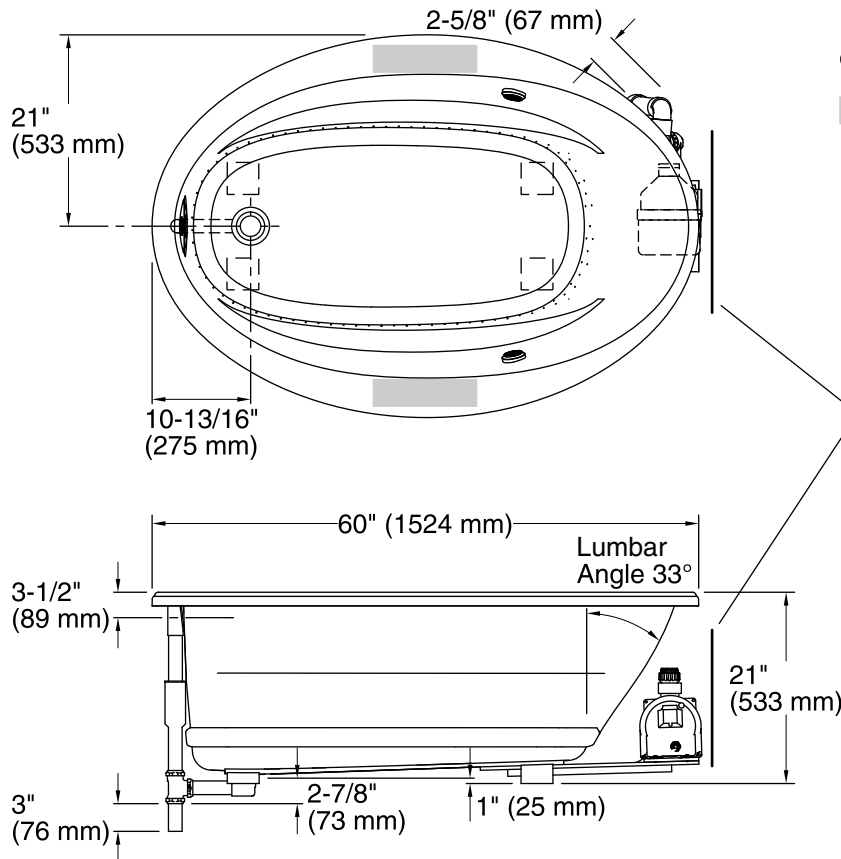
**KOHLER® Plastic Baths and Receptors  
Lifetime Limited Warranty  
KOHLER® Hydrotherapy Components  
Five-Year Limited Warranty**

See website for detailed warranty information.

### Available Colors/Finishes

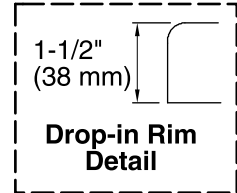
*Color tiles intended for reference only.*

| Color  | Code | Description |
|--|------|-------------|
|  | 0    | White       |
|  | 96   | Biscuit     |
|  | 47   | Almond      |

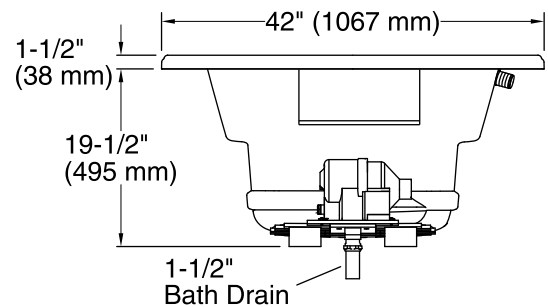


No change in measurements if connected with drain illustrated. (K-11677)

Recommended faucet area



Blower/Control Access  
30" (762 mm) W x 15" (381 mm) H Min



### Required Electrical Service

One dedicated circuit required, protected with Class A Ground-Fault Circuit-Interrupter (GFCI). Outside North America, this device may be known as a Residual Current Device (RCD).

Blower, Heated 120 V, 15 A, 60 Hz  
Surface:

### Technical Information

All product dimensions are nominal.

|                              |  |
|------------------------------|--|
| Installation:                | Drop-in  |
| Drain location:              | End  |
| Basin area, bottom:          | 43" x 21-9/16" (1092 mm x 548 mm)                                      |
| Basin area, top:             | 53-1/2" x 32-1/8" (1359 mm x 816 mm)                                   |
| Weight:                      | 116 lbs (52.6 kg)  |
| Minimum floor load:          | 35 lbs/ft <sup>2</sup> (170.9 kg/m <sup>2</sup> )                      |
| Water depth:                 | 15" (381 mm)   |
| Water capacity:              | 57 gal (215.8 L)   |
| Template:                    | Drop-in, 1042556-7, required, included                                 |
| Electrical component rating: | Blower: 120 V, 10 A, 60 Hz<br>Heated Surface: 120 V, 60 A, 60 Hz, 65 W |

### Notes

Measure your actual product for rough-in details. Install this product according to the installation instructions.

The hot water supply should be 70% of the capacity of the bath or greater. Installations will vary.

Remote blower installation kit is available for relocating the blower. Provide access for servicing the blower.

Kit is required for under-mount installations (sold separately).

Do not relocate or alter the PVC tee or coiled flexible tubing connected to the blower. Follow the blower relocation instructions exactly.