

### Features

- Single-speed whirlpool offers performance and value, with 6 fully adjustable jets.
- Hydromassage flow and direction can be controlled at each jet.
- Corner layout minimizes footprint without compromising bathing area.
- Spacious design accommodates up to two bathers.
- Molded lumbar supports and armrests offer extra comfort while bathing.
- Integral flange helps prevent water from seeping behind wall and simplifies installation.
- Center drain.

### Material

- Acrylic

### Hydrotherapy

- Whirlpool

### Installation

- Corner

### Additional Hydrotherapy Options

- Soaking Bath - K-1161-F
- Whirlpool - K-1160-F
- Whirlpool + heater - K-1160-FH

### Recommended Products/Accessories

K-11677 Bath Drain  
K-1491 Bath/Whirlpool Pillow  
K-1601 Bath/Whirlpool Footstop  
K-7259 Clearflo Bath Drain  
K-37382 45" Rough-in Cable Bath Drain



### Codes/Standards

ASME A112.19.7/CSA B45.10  
CSA B45.5/IAPMO Z124  
ASTM E162  
ASTM E662  
UL 1795




**KOHLER® Plastic Baths and Receptors  
Lifetime Limited Warranty  
KOHLER® Hydrotherapy Components  
Five-Year Limited Warranty**

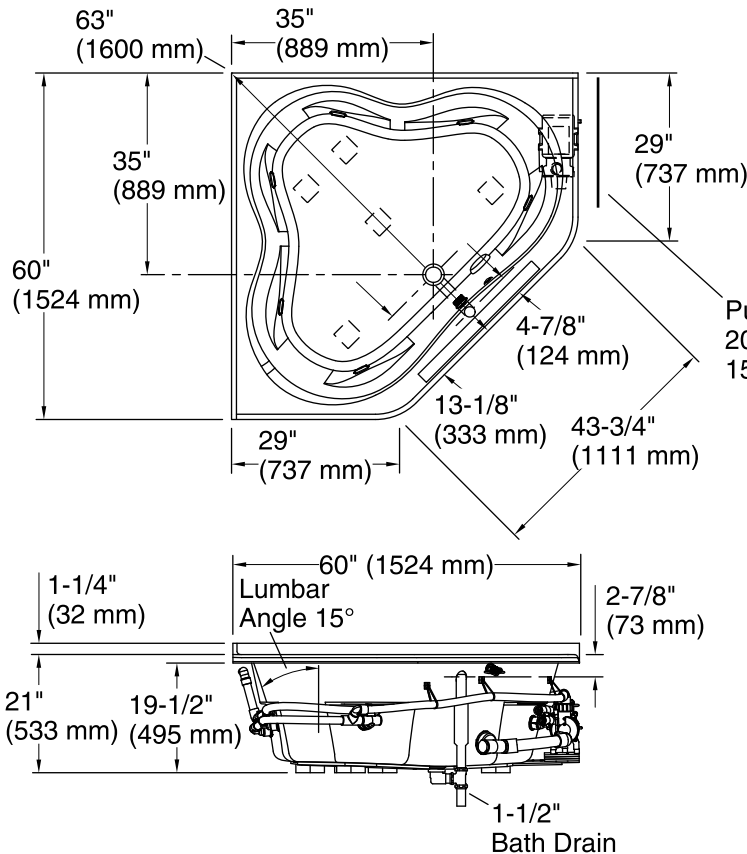
See website for detailed warranty information.

### Available Colors/Finishes

*Color tiles intended for reference only.*

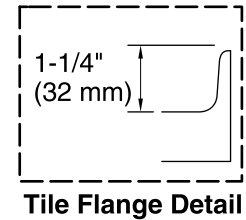
Color	Code	Description
-------	------	-------------

	0	White
	96	Biscuit
	47	Almond

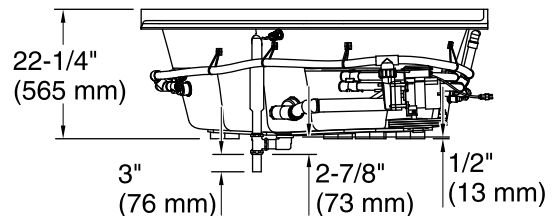


No change in measurements if connected with drain illustrated. (K-11677)

☐ Recommended Faucet Location



Pump/Control Access  
20" (508 mm) W x  
15" (381 mm) H



### Required Electrical Service

One dedicated circuit required, protected with Class A Ground-Fault Circuit-Interrupter (GFCI). Outside North America, this device may be known as a Residual Current Device (RCD).

Pump: 120 V, 15 A, 60 Hz

### Technical Information

All product dimensions are nominal.

Installation: Corner  
Drain location: Center  
Basin area, bottom: 52" x 38-3/4" (1321 mm x 984 mm)  
Basin area, top: 61" x 46-1/4" (1549 mm x 1175 mm)  
Weight: 127 lbs (57.6 kg)  
Minimum floor load: 39 lbs/ft<sup>2</sup> (190.4 kg/m<sup>2</sup>)  
Water depth: 15" (381 mm)  
Water capacity: 96 gal (363.4 L)  
Electrical component rating: Pump: 120 V, 7.5 A, 60 Hz  
Pump speed: Single

### Notes

Measure your actual product for rough-in details. Install this product according to the installation instructions.

The hot water supply should be 70% of the capacity of the bath or greater. Installations will vary.

Provide one grounded electrical outlet within 24" (610 mm) of each component.

If installing a rim-mount faucet, make sure there is no interference above or below the deck before drilling any holes.