

## Features

- Single-speed whirlpool offers performance and value, with 6 fully adjustable jets.
- Hydromassage flow and direction can be controlled at each jet.
- Generous 6-foot length provides an incredibly spacious bathing area.
- Hourglass shape adds style and elegance to your bathroom.
- Molded lumbar support and armrests offer extra comfort while bathing.
- Reversible drain.

## Material

- Acrylic

## Hydrotherapy

- Whirlpool

## Installation

- Drop-in

## Additional Hydrotherapy Options

- Soaking Bath - 1159-0
- Whirlpool - 1157-0
- Whirlpool + heater - 1157-H

## Recommended Products/Accessories

K-1283 Removable Apron  
K-11677 Bath Drain  
K-24916 Wireless Music Kit  
K-1491 Bath/Whirlpool Pillow  
K-1601 Bath/Whirlpool Footstop  
K-7213 27" Cable Bath Drain  
K-7214 27" Cable Bath Drain  
K-7265 Clearflo Bath Drain



## Codes/Standards

ASME A112.19.7/CSA B45.10  
CSA B45.5/IAPMO Z124  
UL 1795




**KOHLER® Plastic Baths and Receptors  
Lifetime Limited Warranty  
KOHLER® Hydrotherapy Components  
Five-Year Limited Warranty**

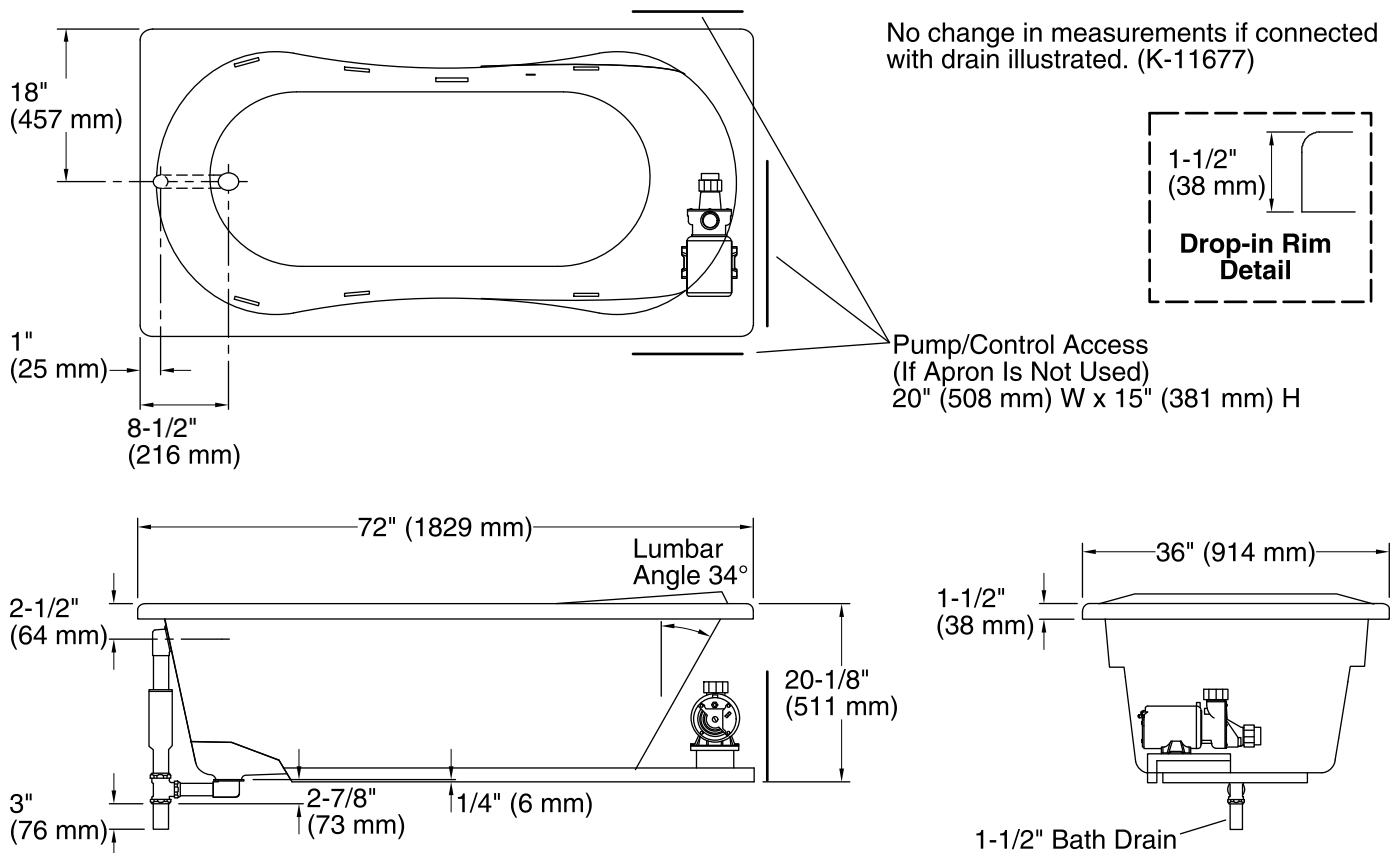
See website for detailed warranty information.

## Available Colors/Finishes

*Color tiles intended for reference only.*

### Color Code Description

	0	White
	96	Biscuit
	47	Almond



### Required Electrical Service

One dedicated circuit required, protected with Class A Ground-Fault Circuit-Interrupter (GFCI). Outside North America, this device may be known as a Residual Current Device (RCD).

Pump: 120 V, 15 A, 60 Hz

### Technical Information

All product dimensions are nominal.

Installation:	Drop-in
Drain location:	End
Basin area, bottom:	55" x 21" (1397 mm x 533 mm)
Basin area, top:	65" x 26" (1651 mm x 660 mm)
Weight:	66 lbs (29.9 kg)
Minimum floor load:	38 lbs/ft <sup>2</sup> (185.5 kg/m <sup>2</sup> )
Water depth:	15" (381 mm)
Water capacity:	72 gal (272.5 L)
Cutout:	Drop-in, 70-1/2" x 34-1/2" (1791 mm x 876 mm)
Electrical component rating:	Pump: 120 V, 7.5 A, 60 Hz
Pump speed:	Single
Minimum flat for door:	2-5/8" (67 mm)

### Notes

Measure your actual product for rough-in details. Install this product according to the installation instructions.

The hot water supply should be 70% of the capacity of the bath or greater. Installations will vary.

Bath may require shimming if installing an apron.