

## Features

- Single-speed whirlpool offers performance and value, with 6 fully adjustable jets.
- Hydromassage flow and direction can be controlled at each jet.
- Generous 6-foot length provides an incredibly spacious bathing area.
- Hourglass shape adds style and elegance to your bathroom.
- Molded lumbar support and armrests offer extra comfort while bathing.
- Reversible drain.
- Multiple pump location options give you more choices for installation and access. (See specification sheet for pump locations.)

## Material

- Acrylic

## Hydrotherapy

- Whirlpool

## Installation

- Drop-in

## Recommended Products/Accessories

K-1283 Removable Apron  
K-1491 Bath/Whirlpool Pillow  
K-24916 Wireless Music Kit  
K-1601 Bath/Whirlpool Footstop  
K-7213 27" Cable Bath Drain  
K-7214 27" Cable Bath Drain  
K-7265 Clearflo Bath Drain



## Codes/Standards

ASME A112.19.7/CSA B45.10  
CSA B45.5/IAPMO Z124  
UL 1795

**KOHLER® Plastic Baths and Receptors  
Lifetime Limited Warranty**




**KOHLER® Hydrotherapy Components  
Five-Year Limited Warranty**

See website for detailed warranty information.

## Available Colors/Finishes

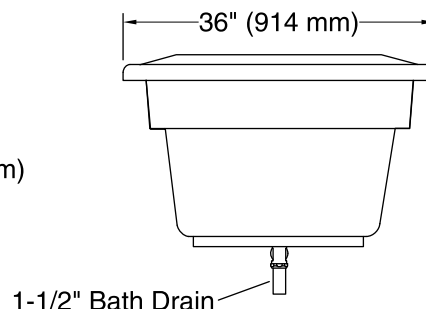
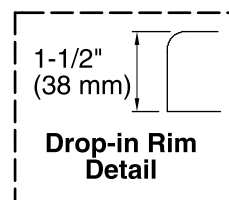
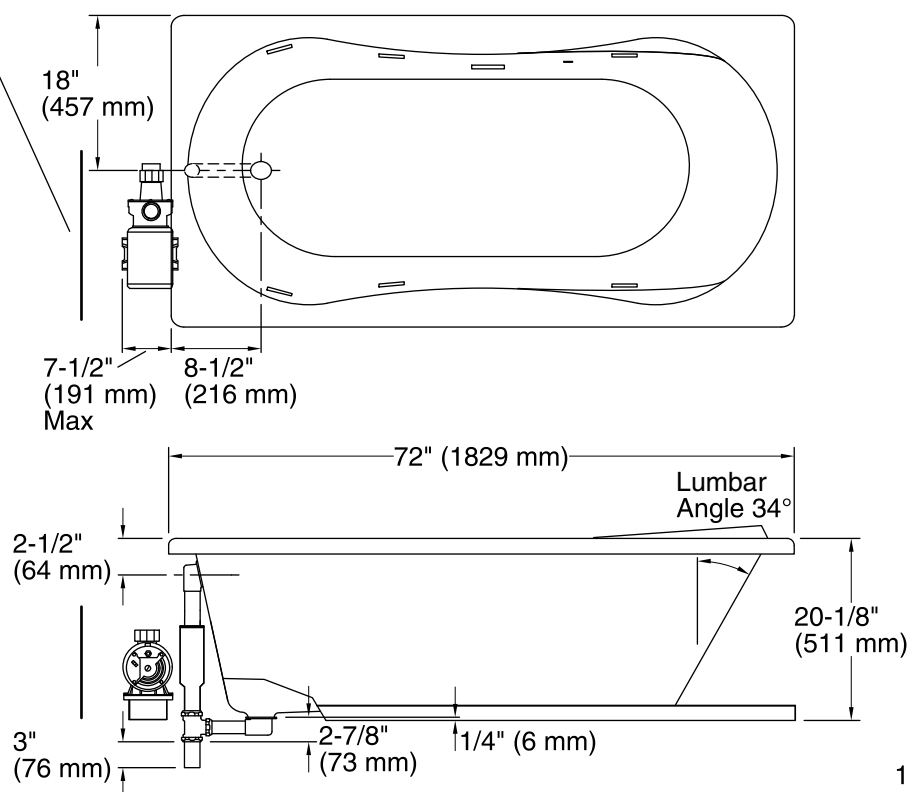
*Color tiles intended for reference only.*

### Color Code Description

	0	White
	96	Biscuit
	47	Almond

Pump/Control Access  
20" (508 mm) W x 15" (381 mm) H

No change in measurements if connected  
with drain illustrated. (K-11677)



### Required Electrical Service

One dedicated circuit required, protected with Class A Ground-Fault Circuit-Interrupter (GFCI). Outside North America, this device may be known as a Residual Current Device (RCD).

Pump: 120 V, 15 A, 60 Hz

### Technical Information

All product dimensions are nominal.

Installation: Drop-in  
 Drain location: End  
 Basin area, bottom: 55" x 21" (1397 mm x 533 mm)  
 Basin area, top: 65" x 26" (1651 mm x 660 mm)  
 Weight: 66 lbs (29.9 kg)  
 Minimum floor load: 39 lbs/ft<sup>2</sup> (190.4 kg/m<sup>2</sup>)  
 Water depth: 15" (381 mm)  
 Water capacity: 72 gal (272.5 L)  
 Cutout: Drop-in, 70-1/2" x 34-1/2" (1791 mm x 876 mm)  
 Electrical component rating: Pump: 120 V, 7.5 A, 60 Hz  
 Pump speed: Single  
 Minimum flat for door: 2-5/8" (67 mm)

### Notes

Measure your actual product for rough-in details. Install this product according to the installation instructions.

The hot water supply should be 70% of the capacity of the bath or greater. Installations will vary.

Provide one grounded electrical outlet within 24" (610 mm) of each component.

Bath may require shimming if installing an apron.