

#### Features

- Single-speed whirlpool offers performance and value, with 6 fully adjustable jets.
- Hydromassage flow and direction can be controlled at each jet.
- Built-in heater.
- Generous 6-foot oval basin provides an incredibly spacious bathing area for up to two people.
- Molded lumbar support and armrests offer extra comfort while bathing.
- Multiple pump location options give you more choices for installation and access. (See specification sheet for pump locations.)
- Reversible drain.

#### Material

- Acrylic

#### Hydrotherapy

- Whirlpool

#### Installation

- Drop-in or under-mount.

#### Recommended Products/Accessories

K-7213 27" Cable Bath Drain  
 K-7214 27" Cable Bath Drain  
 K-11677 Bath Drain  
 K-24916 Wireless Music Kit  
 K-1491 Bath/Whirlpool Pillow  
 K-1601 Bath/Whirlpool Footstop  
 K-7259 Clearflo Bath Drain



#### Codes/Standards

ASME A112.19.7/CSA B45.10  
 CSA B45.5/IAPMO Z124  
 UL 1795

**KOHLER® Plastic Baths and Receptors  
 Lifetime Limited Warranty**




**KOHLER® Hydrotherapy Components  
 Five-Year Limited Warranty**

See website for detailed warranty information.

#### Available Colors/Finishes

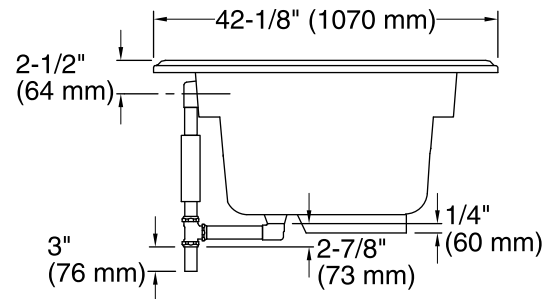
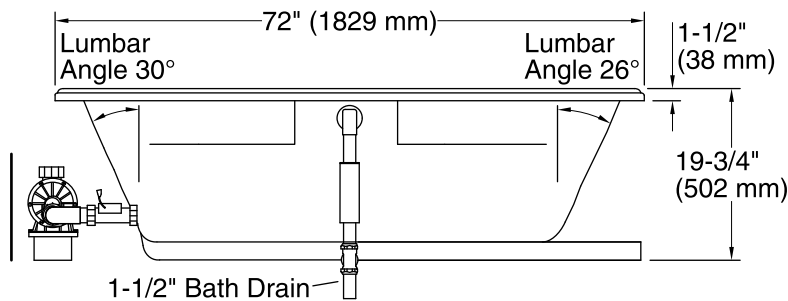
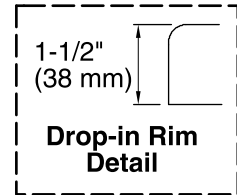
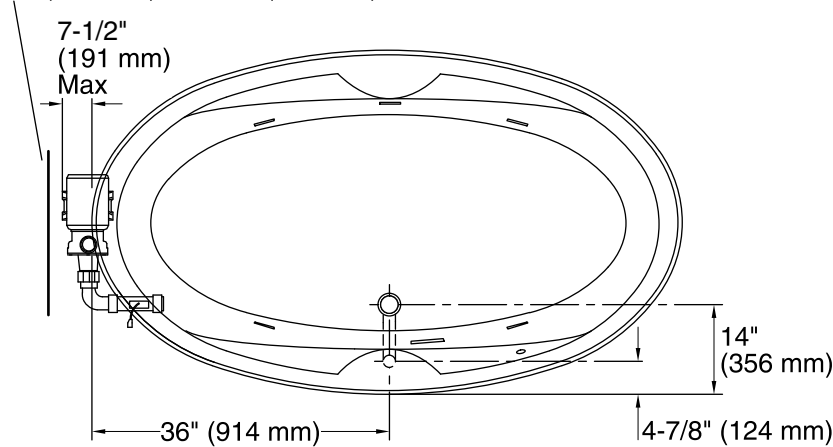
*Color tiles intended for reference only.*

#### Color Code Description

|  |    |         |
|--|----|---------|
|  | 0  | White   |
|  | 96 | Biscuit |
|  | 47 | Almond  |

Pump/Control Access  
20" (508 mm) W x 15" (381 mm) H Min

No change in measurements if connected with drain illustrated. (K-11677)



### Required Electrical Service

Two dedicated circuits required, protected with Class A Ground-Fault Circuit-Interrupter (GFCI). Outside North America, this device may be known as a Residual Current Device (RCD).

Pump: 120 V, 15 A, 60 Hz  
Heater: 120 V, 15 A, 60 Hz

### Technical Information

All product dimensions are nominal.

Installation: Drop-in  
Drain location: Center  
Basin area, bottom: 53" x 26" (1346 mm x 660 mm)  
Basin area, top: 65" x 34" (1651 mm x 864 mm)  
Weight: 79 lbs (35.8 kg)  
Minimum floor load: 36 lbs/ft<sup>2</sup> (175.8 kg/m<sup>2</sup>)  
Water depth: 15" (381 mm)  
Water capacity: 78 gal (295.3 L)  
Template: Drop-in, 114861-7, required, included  
Electrical component rating: Pump: 120 V, 7.5 A, 60 Hz  
Heater: 120 V, 12.5 A, 60 Hz, 1500 W  
Pump speed: Single

### Notes

Measure your actual product for rough-in details. Install this product according to the installation instructions.

The hot water supply should be 70% of the capacity of the bath or greater. Installations will vary.

Provide one grounded electrical outlet within 24" (610 mm) of each component.

Pump must be relocated to custom position at the time of installation. Provide adequate clearance.