

#### Features

- Single-speed whirlpool offers performance and value, with 6 fully adjustable jets.
- Hydromassage flow and direction can be controlled at each jet.
- Built-in heater.
- Oval-shaped basin creates a graceful and spacious bathing experience.
- Molded lumbar support and armrests offer extra comfort while bathing.
- Reversible drain.

#### Material

- Acrylic

#### Hydrotherapy

- Whirlpool

#### Installation

- Drop-in

#### Additional Hydrotherapy Options

- Soaking Bath - 1147-0
- Whirlpool - 1146-0
- Whirlpool + heater - 1146-H

#### Recommended Products/Accessories

K-1491 Bath/Whirlpool Pillow  
K-1601 Bath/Whirlpool Footstop  
K-11677 Bath Drain  
K-24916 Wireless Music Kit



#### Codes/Standards

ASME A112.19.7/CSA B45.10  
CSA B45.5/IAPMO Z124  
UL 1795




**KOHLER® Plastic Baths and Receptors  
Lifetime Limited Warranty  
KOHLER® Hydrotherapy Components  
Five-Year Limited Warranty**

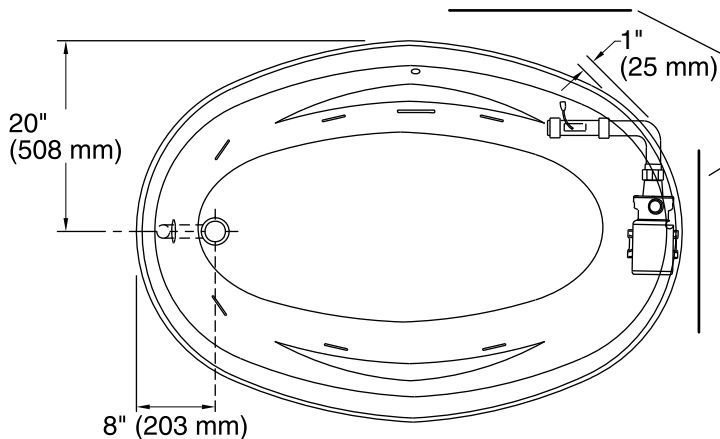
See website for detailed warranty information.

#### Available Colors/Finishes

*Color tiles intended for reference only.*

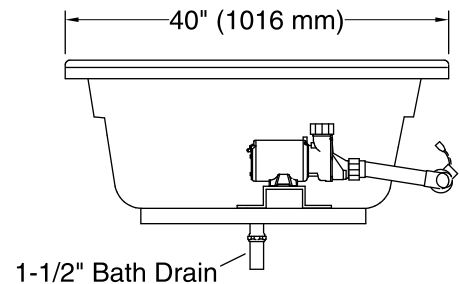
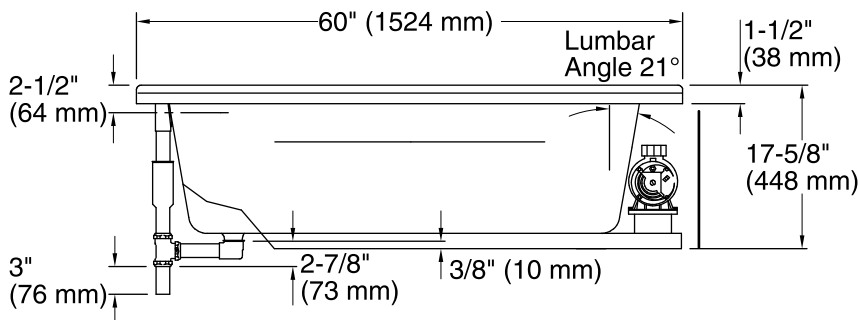
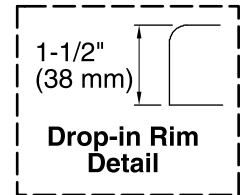
#### Color Code Description

	0	White
	96	Biscuit
	47	Almond



No change in measurements if connected with drain illustrated. (K-11677)

2 Required Pump/Control Access Panels  
20" (508 mm) W x 15" (381 mm) H



### Required Electrical Service

Two dedicated circuits required, protected with Class A Ground-Fault Circuit-Interrupter (GFCI). Outside North America, this device may be known as a Residual Current Device (RCD).

Pump: 120 V, 15 A, 60 Hz  
Heater: 120 V, 15 A, 60 Hz

### Technical Information

All product dimensions are nominal.

Installation: Drop-in  
Drain location: End  
Basin area, bottom: 46" x 19" (1168 mm x 483 mm)  
Basin area, top: 55" x 29" (1397 mm x 737 mm)  
Weight: 61 lbs (27.7 kg)  
Minimum floor load: 33 lbs/ft<sup>2</sup> (161.1 kg/m<sup>2</sup>)  
Water depth: 14" (356 mm)  
Water capacity: 54 gal (204.4 L)  
Template: Drop-in, 114859-7, required, included  
Electrical component rating: Pump: 120 V, 7.5 A, 60 Hz  
Heater: 120 V, 12.5 A, 60 Hz, 1500 W  
Pump speed: Single

### Notes

Measure your actual product for rough-in details. Install this product according to the installation instructions.

The hot water supply should be 70% of the capacity of the bath or greater. Installations will vary.

Provide one grounded electrical outlet within 24" (610 mm) of each component.

The suction line extends 1" (25 mm) beyond the edge of the rim. The pump base extends 1-1/8" (29 mm) beyond the edge of the rim. Modify the framing as needed.