

#### Features

- Single-speed whirlpool offers performance and value, with 6 fully adjustable jets.
- Hydromassage flow and direction can be controlled at each jet.
- Oval-shaped basin creates a graceful and spacious bathing experience.
- Molded lumbar support and armrests offer extra comfort while bathing.
- Multiple pump location options give you more choices for installation and access. (See specification sheet for pump locations.)

#### Material

- Acrylic

#### Hydrotherapy

- Whirlpool

#### Installation

- Drop-in

#### Recommended Products/Accessories

- K-1284 Removable Apron
- K-1491 Bath/Whirlpool Pillow
- K-1601 Bath/Whirlpool Footstop
- K-11677 Bath Drain
- K-24916 Wireless Music Kit



#### Codes/Standards

ASME A112.19.7/CSA B45.10  
CSA B45.5/IAPMO Z124  
UL 1795

#### KOHLER® Plastic Baths and Receptors Lifetime Limited Warranty




#### KOHLER® Hydrotherapy Components Five-Year Limited Warranty

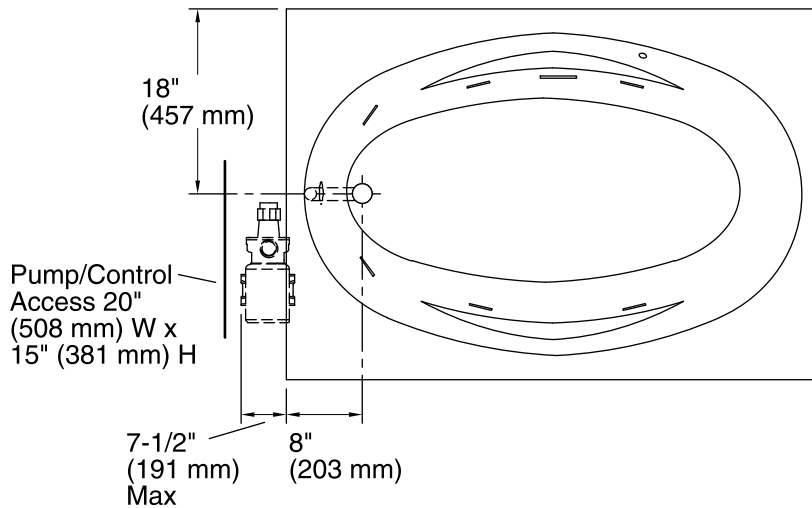
See website for detailed warranty information.

#### Available Colors/Finishes

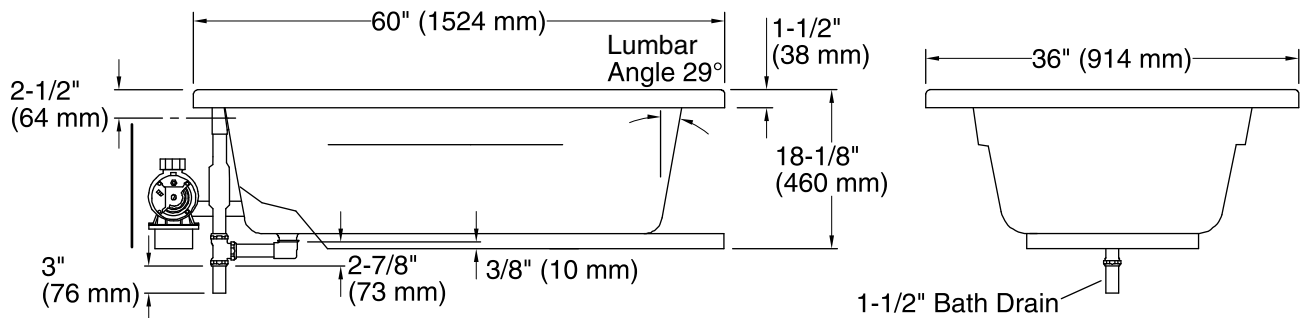
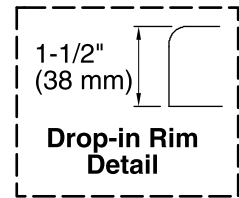
*Color tiles intended for reference only.*

#### Color Code Description

|  |    |         |
|--|----|---------|
|  | 0  | White   |
|  | 96 | Biscuit |
|  | 47 | Almond  |



No change in measurements if connected with drain illustrated. (K-11677)



### Required Electrical Service

One dedicated circuit required, protected with Class A Ground-Fault Circuit-Interrupter (GFCI). Outside North America, this device may be known as a Residual Current Device (RCD).

Pump: 120 V, 15 A, 60 Hz

### Technical Information

All product dimensions are nominal.

|                              |   |
|------------------------------|---|
| Installation:                | Drop-in   |
| Drain location:              | End   |
| Basin area, bottom:          | 46" x 23" (1168 mm x 584 mm)                      |
| Basin area, top:             | 55" x 25" (1397 mm x 635 mm)                      |
| Weight:                      | 55 lbs (24.9 kg)                                  |
| Minimum floor load:          | 37 lbs/ft <sup>2</sup> (180.6 kg/m <sup>2</sup> ) |
| Water depth:                 | 14" (356 mm)                                      |
| Water capacity:              | 57 gal (215.8 L)                                  |
| Cutout:                      | Drop-in, 58-1/2" x 34-1/2" (1486 mm x 876 mm)     |
| Electrical component rating: | Pump: 120 V, 7.5 A, 60 Hz                         |
| Pump speed:                  | Single  |
| Minimum flat for door:       | 2-3/4" (69 mm)                                    |

### Notes

Measure your actual product for rough-in details. Install this product according to the installation instructions.

The hot water supply should be 70% of the capacity of the bath or greater. Installations will vary.

Provide one grounded electrical outlet within 24" (610 mm) of each component.