

Features

- Single-speed whirlpool offers performance and value, with 6 fully adjustable jets.
- Hydromassage flow and direction can be controlled at each jet.
- Built-in heater.
- Generous 6-foot oval basin provides an incredibly spacious bathing area for up to two people.
- Molded lumbar support and armrests offer extra comfort while bathing.
- Reversible drain.
- Integral flange helps prevent water from seeping behind wall and simplifies alcove installation.

Material

- Acrylic

Hydrotherapy

- Whirlpool

Installation

- Three-wall alcove.

Recommended Products/Accessories

K-1284 Removable Apron
K-7213 27" Cable Bath Drain
K-7214 27" Cable Bath Drain
K-11677 Bath Drain
K-24916 Wireless Music Kit



Codes/Standards

ASME A112.19.7/CSA B45.10
CSA B45.5/IAPMO Z124
UL 1795




**KOHLER® Plastic Baths and Receptors
Lifetime Limited Warranty
KOHLER® Hydrotherapy Components
Five-Year Limited Warranty**

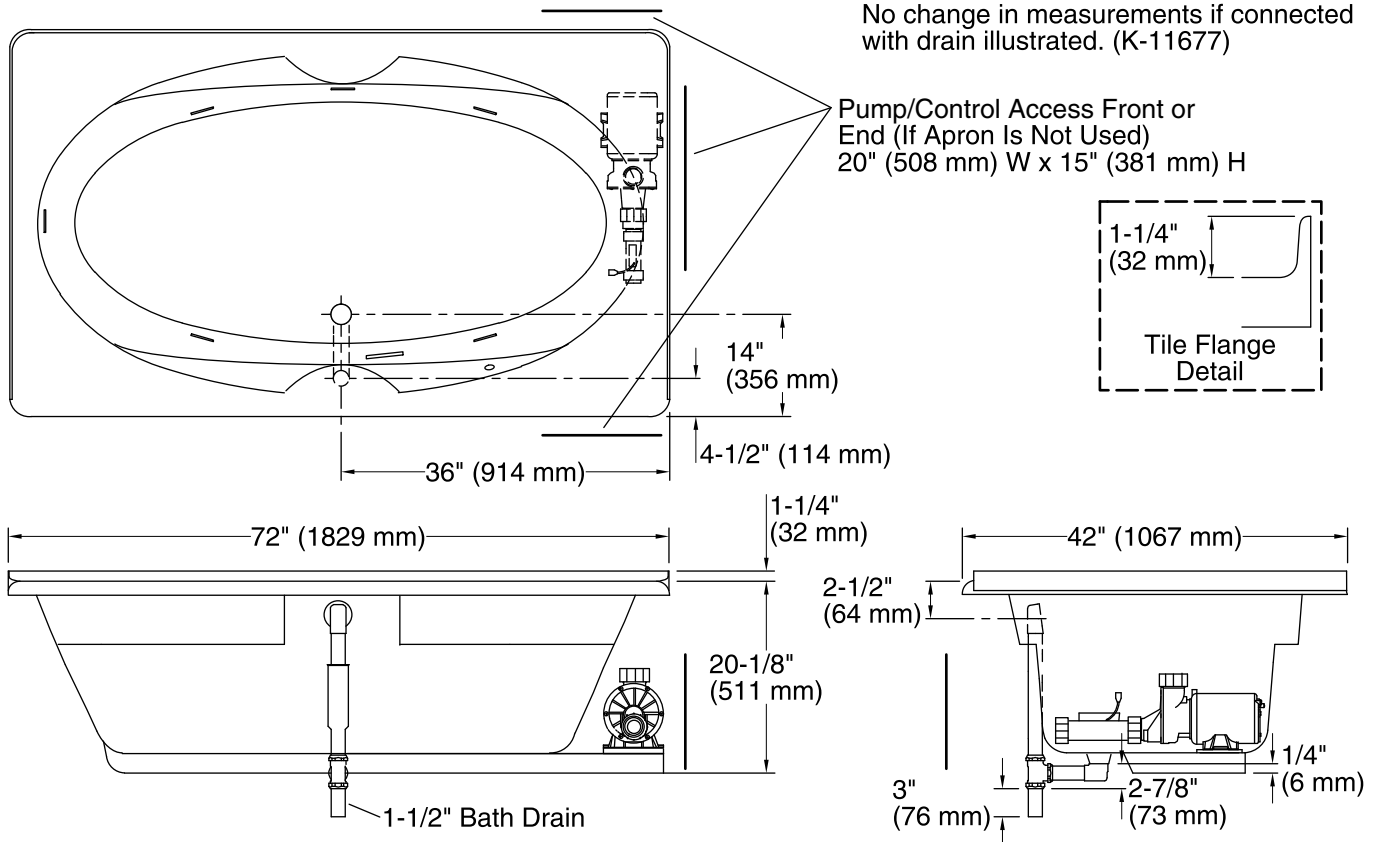
See website for detailed warranty information.

Available Colors/Finishes

Color tiles intended for reference only.

Color Code Description

	0	White
	96	Biscuit
	47	Almond



Required Electrical Service

Two dedicated circuits required, protected with Class A Ground-Fault Circuit-Interrupter (GFCI). Outside North America, this device may be known as a Residual Current Device (RCD).

Pump: 120 V, 15 A, 60 Hz
Heater: 120 V, 15 A, 60 Hz

Technical Information

All product dimensions are nominal.

Installation: Three-wall alcove
Drain location: Center
Basin area, bottom: 53" x 26" (1346 mm x 660 mm)
Basin area, top: 65" x 34" (1651 mm x 864 mm)
Weight: 75 lbs (34 kg)
Minimum floor load: 36 lbs/ft² (175.8 kg/m²)
Water depth: 15" (381 mm)
Water capacity: 78 gal (295.3 L)
Electrical component rating: Pump: 120 V, 7.5 A, 60 Hz
Heater: 120 V, 12.5 A, 60 Hz, 1500 W
Pump speed: Single
Minimum flat for door: 2-11/16" (69 mm)

Notes

Measure your actual product for rough-in details. Install this product according to the installation instructions.

The hot water supply should be 70% of the capacity of the bath or greater. Installations will vary.

Provide one grounded electrical outlet within 24" (610 mm) of each component.