

### Features

- Single-speed whirlpool offers performance and value, with 6 fully adjustable jets.
- Hydromassage flow and direction can be controlled at each jet.
- Built-in heater.
- Decked oval shape creates a graceful and spacious bathing experience.
- Generous 6-foot length provides spacious bathing for up to two people.
- Molded lumbar support and armrests offer extra comfort while bathing.
- Integral flange helps prevent water from seeping behind wall and simplifies alcove installation.
- Left-hand drain.

### Material

- Acrylic

### Hydrotherapy

- Whirlpool

### Installation

- Three-wall alcove.

### Additional Hydrotherapy Options

- Soaking Bath - 1115-L
- BubbleMassage air bath - 1114-GLF
- Whirlpool - 1114-L
- Whirlpool + heater - 1114-LH

### Recommended Products/Accessories

K-7166-AF Bath Drain  
K-11677 Bath Drain  
K-24916 Wireless Music Kit



### Codes/Standards

ASME A112.19.7/CSA B45.10  
CSA B45.5/IAPMO Z124  
ASTM E162  
ASTM E662  
UL 1795




**KOHLER® Plastic Baths and Receptors  
Lifetime Limited Warranty  
KOHLER® Hydrotherapy Components  
Five-Year Limited Warranty**

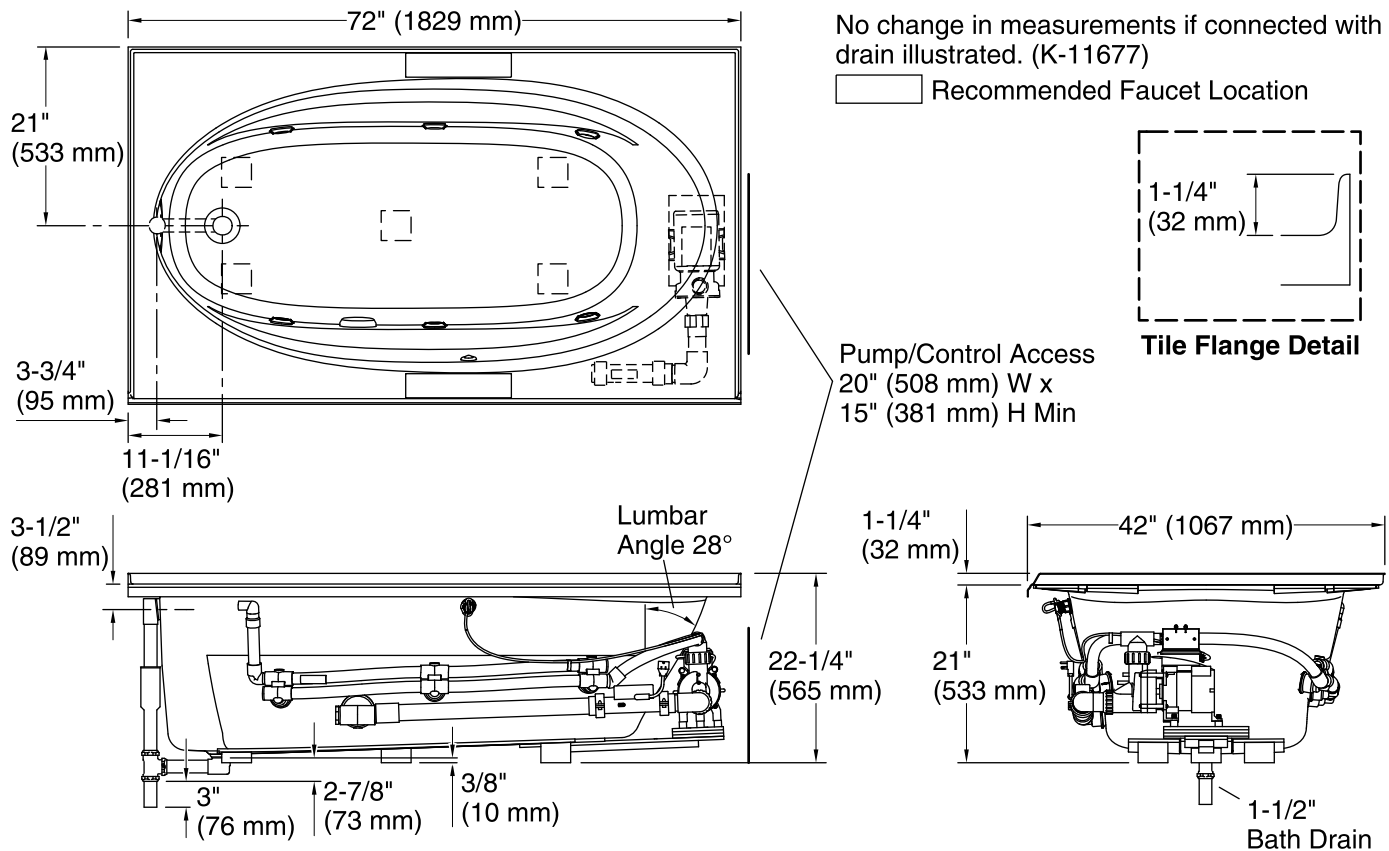
See website for detailed warranty information.

### Available Colors/Finishes

*Color tiles intended for reference only.*

Color	Code	Description
-------	------	-------------

	0	White
	96	Biscuit
	47	Almond



### Required Electrical Service

One dedicated circuit required, protected with Class A Ground-Fault Circuit-Interrupter (GFCI). Outside North America, this device may be known as a Residual Current Device (RCD).

Pump: 120 V, 15 A, 60 Hz  
Heater: 120 V, 15 A, 60 Hz

### Technical Information

All product dimensions are nominal.

Installation: Three-wall alcove  
Drain location: Left  
Basin area, bottom: 55" x 23-1/4" (1397 mm x 591 mm)  
Basin area, top: 64" x 32" (1626 mm x 813 mm)  
Weight: 110 lbs (49.9 kg)  
Minimum floor load: 30 lbs/ft<sup>2</sup> (146.5 kg/m<sup>2</sup>)  
Water depth: 15" (381 mm)  
Water capacity: 57 gal (215.8 L)  
Electrical component rating: Pump: 120 V, 7.5 A, 60 Hz  
Heater: 120 V, 12.5 A, 60 Hz, 1500 W  
Pump speed: Single  
Minimum flat for door: 3-1/16" (78 mm)

### Notes

Measure your actual product for rough-in details. Install this product according to the installation instructions.

The hot water supply should be 70% of the capacity of the bath or greater. Installations will vary.

Provide one grounded electrical outlet within 24" (610 mm) of each component.

If installing a rim-mount faucet, make sure there is no interference above or below the deck before drilling any holes.