

Features

- Decked oval shape creates a graceful and spacious bathing experience.
- Molded lumbar support and armrests offer extra comfort while bathing.
- Integral flange helps prevent water from seeping behind wall and simplifies alcove installation.
- Right-hand drain.

Material

- Acrylic

Installation

- Three-wall alcove.

Additional Hydrotherapy Options

- Soaking Bath - 1113-R
- BubbleMassage air bath - 1112-GRF
- Whirlpool - 1112-R
- Whirlpool + heater - 1112-RH

Recommended Products/Accessories

K-11677 Bath Drain
K-7166-AF Bath Drain
K-24916 Wireless Music Kit



Codes/Standards




CSA B45.5/IAPMO Z124
ASTM E162
ASTM E662

KOHLER® Plastic Baths and Receptors Lifetime Limited Warranty

See website for detailed warranty information.

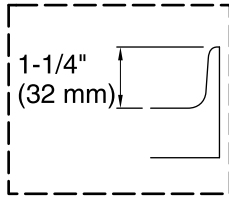
Available Colors/Finishes

Color tiles intended for reference only.

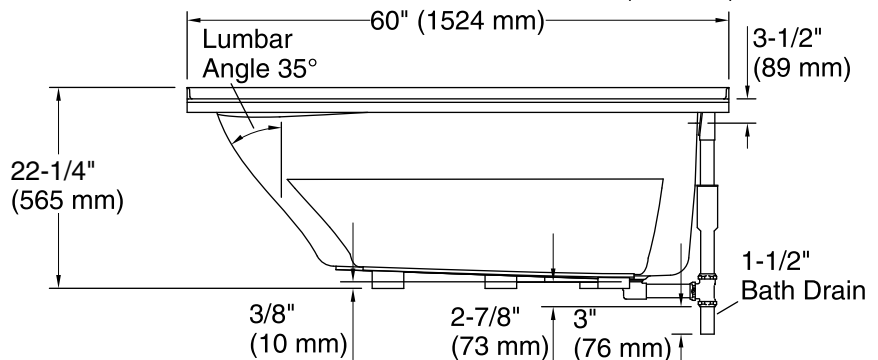
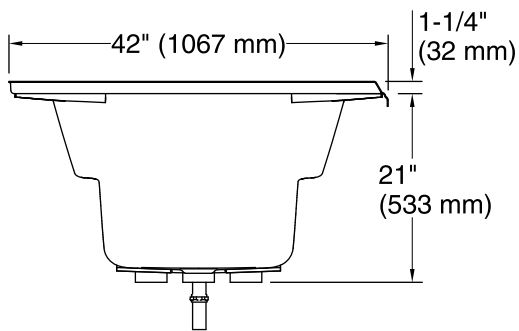
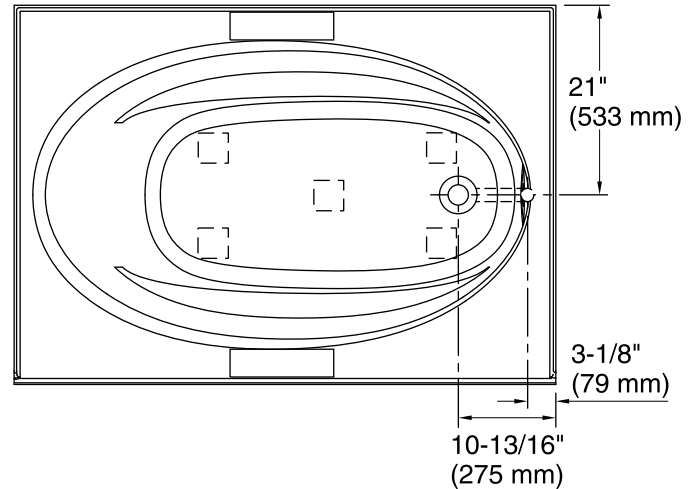
Color	Code	Description
	0	White
	96	Biscuit
	47	Almond

No change in measurements if connected with drain illustrated. (K-11677)

 Recommended Faucet Location



Tile Flange Detail



Technical Information

All product dimensions are nominal.

- Installation: Three-wall alcove
- Drain location: Right
- Basin area, bottom: 41" x 20-1/2" (1041 mm x 521 mm)
- Basin area, top: 53-1/2" x 32-1/8" (1359 mm x 816 mm)
- Weight: 80 lbs (36.3 kg)
- Minimum floor load: 33 lbs/ft² (161.1 kg/m²)
- Water depth: 15" (381 mm)
- Water capacity: 57 gal (215.8 L)
- Cutout: Drop-in, 58-1/2" x 40-1/2" (1486 mm x 1029 mm)
- Minimum flat for door: 3-1/4" (83 mm)

Notes

- Measure your actual product for rough-in details. Install this product according to the installation instructions.
- The hot water supply should be 70% of the capacity of the bath or greater. Installations will vary.
- If installing a rim-mount faucet, make sure there is no interference above or below the deck before drilling any holes.