

### Features

- 120 airjets release thousands of bubbles that surround, support, and massage the body.
- Variable-speed blower lets you adjust massage intensity to 18 levels.
- Decked oval shape creates a graceful and spacious bathing experience.
- Molded lumbar support and armrests offer extra comfort while bathing.
- Integral apron.
- Four-sided integral flange helps prevent water from seeping behind wall and simplifies alcove installation.
- Right-hand drain.
- Immediate and manual purge cycles remove residual water from air channels after use.

### Material

- Acrylic

### Hydrotherapy

- BubbleMassage

### Installation

- Three-wall alcove.

### Additional Hydrotherapy Options

- Soaking Bath - 1113-RA
- BubbleMassage air bath - 1112-GRA
- Whirlpool - 1112-RA
- Whirlpool + heater - 1112-HR

### Recommended Products/Accessories

K-11677 Bath Drain  
K-7166-AF Bath Drain  
K-24916 Wireless Music Kit  
K-1446 Remote Installation Kit  
K-1491 Bath/Whirlpool Pillow  
K-1601 Bath/Whirlpool Footstop  
K-7213 27" Cable Bath Drain  
K-7214 27" Cable Bath Drain  
K-7265 Clearflo Bath Drain  
K-9497 2-1/2" Keypad Trim



### Codes/Standards

ASME A112.19.7/CSA B45.10  
CSA B45.5/IAPMO Z124  
ASTM E162  
ASTM E662  
UL 1795

**KOHLER® Plastic Baths and Receptors  
Lifetime Limited Warranty  
KOHLER® Hydrotherapy Components  
Five-Year Limited Warranty**

See website for detailed warranty information.

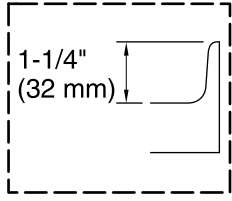
### Available Colors/Finishes

*Color tiles intended for reference only.*

Color	Code	Description
	0	White
	96	Biscuit
	47	Almond

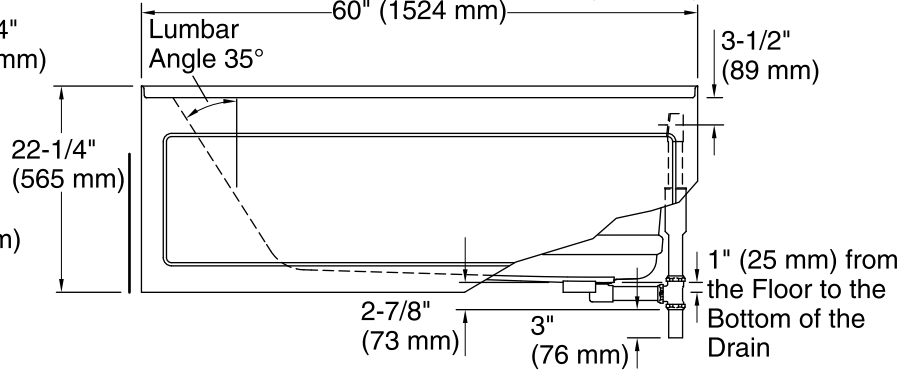
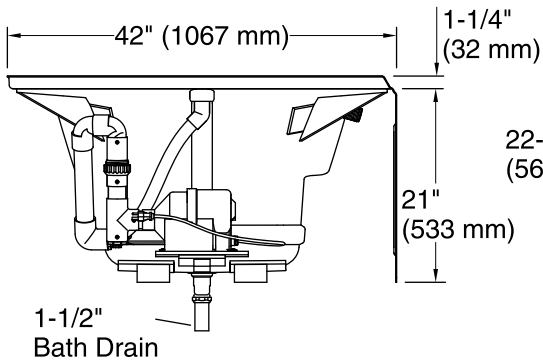
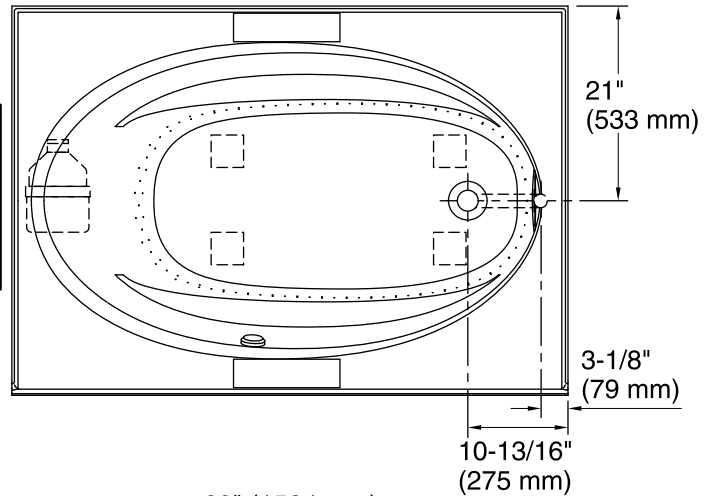
No change in measurements if connected with drain illustrated. (K-11677)

 Recommended Faucet Location



**Tile Flange Detail**

Blower/Control Access  
20" (508 mm) W x  
15" (381 mm) H Min



### Required Electrical Service

One dedicated circuit required, protected with Class A Ground-Fault Circuit-Interrupter (GFCI). Outside North America, this device may be known as a Residual Current Device (RCD).

Blower: 120 V, 15 A, 60 Hz

### Technical Information

All product dimensions are nominal.

Installation:	Three-wall alcove
Drain location:	Right
Basin area, bottom:	43" x 20-1/2" (1092 mm x 521 mm)
Basin area, top:	53-1/2" x 32-1/8" (1359 mm x 816 mm)
Weight:	120 lbs (54.4 kg)
Minimum floor load:	36 lbs/ft <sup>2</sup> (175.8 kg/m <sup>2</sup> )
Water depth:	15" (381 mm)
Water capacity:	57 gal (215.8 L)
Electrical component rating:	Blower: 120 V, 10 A, 60 Hz
Minimum flat for door:	3-1/4" (83 mm)

### Notes

Measure your actual product for rough-in details. Install this product according to the installation instructions.

The hot water supply should be 70% of the capacity of the bath or greater. Installations will vary.

Provide one grounded electrical outlet within 24" (610 mm) of each component.

Remote blower installation kit K-1446 is available for relocating the blower. Provide access for servicing the blower.

Do not relocate or alter the PVC tee or coiled flexible tubing connected to the blower. Follow the blower relocation instructions exactly.

If installing a rim-mount faucet, make sure there is no interference above or below the deck before drilling any holes.