

Features

- 6 hydromassage jets can be individually adjusted for water flow and direction.
- Variable-speed pump for adjusting massage intensity.
- 10 backjets target the lower back and shoulders to relieve tension and encourage deep breathing.
- Adjustable neckjet pillow with 2 jets provides a stimulating, stress-relieving neck massage.
- Built-in heater.
- Lighted keypad.
- Generous 6-foot oval shape provides an incredibly spacious bathing area.
- Overflow channel for deep soak.
- Coordinates with other products in the Purist collection.

Material

- Acrylic

Hydrotherapy

- Whirlpool
- Backjets
- Neckjets

Installation

- Drop-in or under-mount.

Additional Hydrotherapy Options

- Soaking Bath - 1190-0
- BubbleMassage air bath - 1110-G
- BubbleMassage air bath + chromatherapy - 1110-GCR
- Whirlpool - 1110-0
- Effervescence Relax Package - 1110-CT
- Effervescence Spa Package - 1110-AH
- Whirlpool Massage Package - 1110-M
- Spa Package + Massage Package - 1110-V

Required Products/Accessories

K-7273 Bath Drain

Recommended Products/Accessories

K-1601 Bath/Whirlpool Footstop
K-24916 Wireless Music Kit
K-9696 Whirlpool 6-Jet Trim Kit
K-589 Under-Mount Installation Kit



Codes/Standards

ASME A112.19.7/CSA B45.10
CSA B45.5/IAPMO Z124
ASTM E162
ASTM E662
UL 1795
CSA C22.2 No. 218.2




KOHLER® Plastic Baths and Receptors Lifetime Limited Warranty KOHLER® Hydrotherapy Components Five-Year Limited Warranty

See website for detailed warranty information.

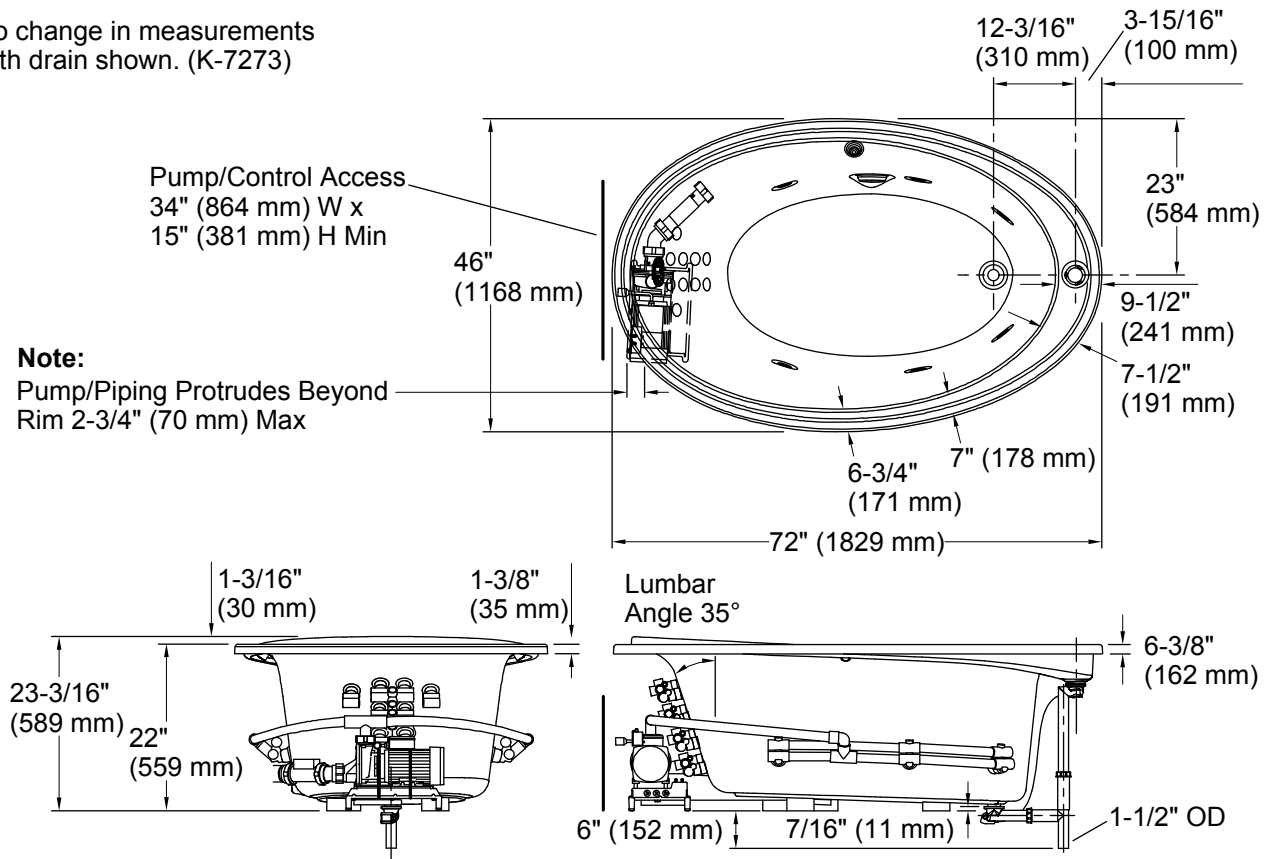
Available Colors/Finishes

Color tiles intended for reference only.

Color	Code	Description
-------	------	-------------

	0	White
	96	Biscuit
	47	Almond

No change in measurements with drain shown. (K-7273)



Required Electrical Service

One dedicated circuit required, protected with Class A Ground-Fault Circuit-Interrupter (GFCI). Outside North America, this device may be known as a Residual Current Device (RCD).

Pump, Heater: 220-240 V, 20 A, 50/60 Hz

Technical Information

All product dimensions are nominal.

Installation:	Drop-in, Under-mount
Drain location:	End
Basin area, bottom:	43" x 26-1/2" (1092 mm x 673 mm)
Basin area, top:	55" x 36" (1397 mm x 914 mm)
Weight:	160 lbs (72.6 kg)
Minimum floor load:	43 lbs/ft ² (209.9 kg/m ²)
Water depth:	19-1/4" (489 mm)
Water capacity:	96 gal (363.4 L)
Template:	Top-mount/Under-mount, 1016369-7, required, included
Electrical component rating:	Pump: 240 V, 11 A, 50/60 Hz Heater: 240 V, 6.25 A, 1500 W
Pump speed:	Variable

Notes

Measure your actual product for rough-in details. Install this product according to the installation instructions.

The hot water supply should be 70% of the capacity of the bath or greater. Installations will vary.

Kit is required for under-mount installations (sold separately).

Pump/piping protrudes beyond rim (see drawing).