

### Features

- 122 airjets release thousands of bubbles that surround, support, and massage the body.
- Variable-speed blower lets you adjust massage intensity to 18 levels.
- Zones of Control™ feature allows you to target massage to back, midsection, or feet.
- Lighted keypad.
- Generous 6-foot length provides an incredibly spacious bathing area.
- Overflow channel for deep soak.
- Coordinates with other products in the Purist collection.

### Material

- Acrylic

### Hydrotherapy

- BubbleMassage

### Installation

- Drop-in.

### Additional Hydrotherapy Options

- Soaking Bath - 1190-0
- BubbleMassage air bath - 1110-G
- BubbleMassage air bath + chromatherapy - 1110-GCR
- Whirlpool - 1110-0
- Effervescence Relax Package - 1110-CT
- Effervescence Spa Package - 1110-AH
- Whirlpool Massage Package - 1110-M
- Spa Package + Massage Package - 1110-V

### Required Products/Accessories

K-7273 Bath Drain

### Recommended Products/Accessories

K-1491 Bath/Whirlpool Pillow  
K-1601 Bath/Whirlpool Footstop  
K-1705 Whirlpool/BubbleMassage™ Remote Control  
K-9498 3" Keypad Trim  
K-24916 Wireless Music Kit  
K-589 Under-Mount Installation Kit



### Codes/Standards

ASME A112.19.7/CSA B45.10  
CSA B45.5/IAPMO Z124  
ASTM E162  
ASTM E662




**KOHLER® Plastic Baths and Receptors  
Lifetime Limited Warranty  
KOHLER® Hydrotherapy Components  
Five-Year Limited Warranty**

See website for detailed warranty information.

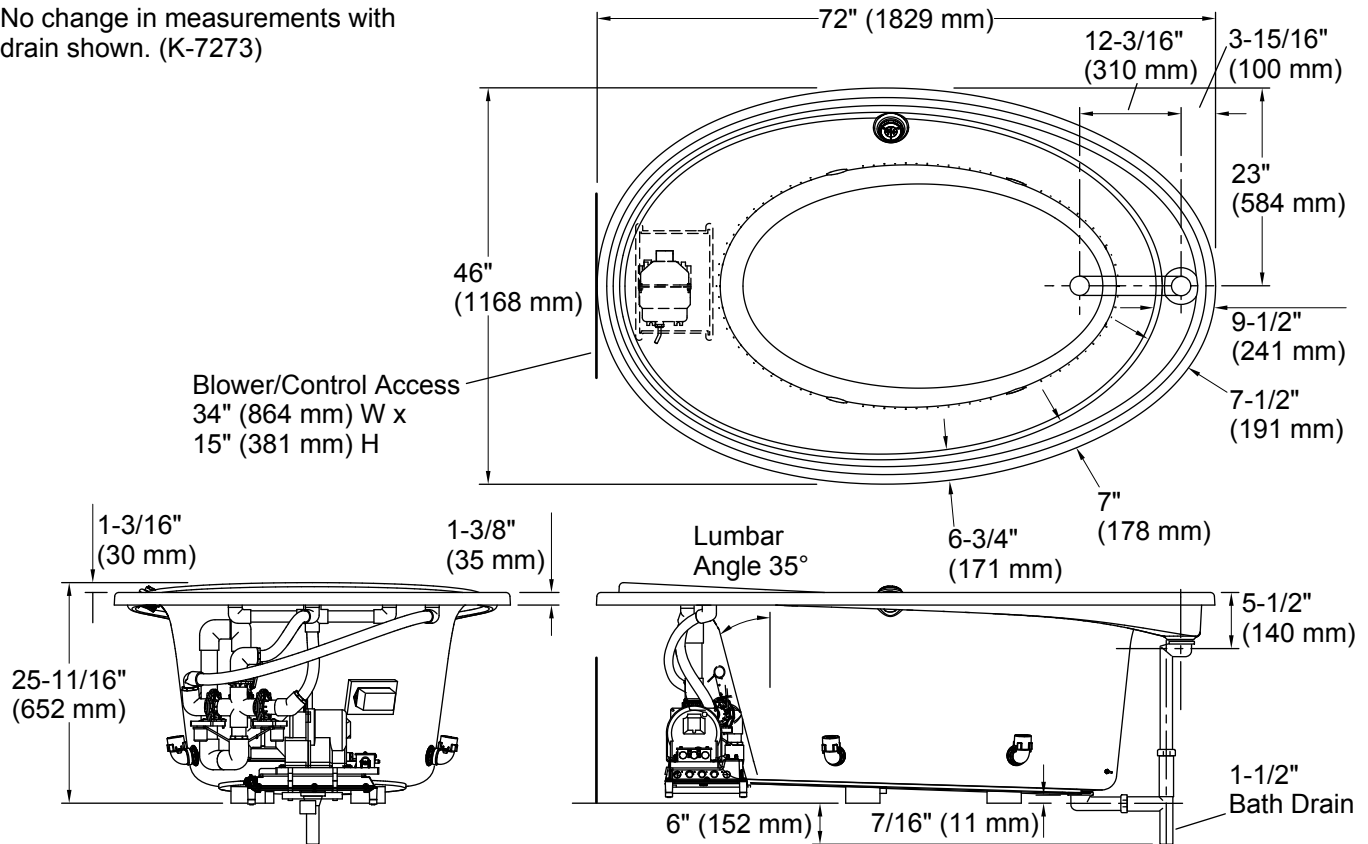
### Available Colors/Finishes

*Color tiles intended for reference only.*

#### Color Code Description

	0	White
	96	Biscuit
	47	Almond

No change in measurements with drain shown. (K-7273)



### Required Electrical Service

One dedicated circuit required, protected with Class A Ground-Fault Circuit-Interrupter (GFCI). Outside North America, this device may be known as a Residual Current Device (RCD).

Blower: 220-240 V, 15 A, 50/60 Hz

### Technical Information

All product dimensions are nominal.

Installation:	Drop-in, Under-mount
Drain location:	End
Basin area, bottom:	45" x 25-1/2" (1143 mm x 648 mm)
Basin area, top:	63" x 31-1/2" (1600 mm x 800 mm)
Weight:	134 lbs (60.8 kg)
Minimum floor load:	49 lbs/ft <sup>2</sup> (239.2 kg/m <sup>2</sup> )
Water depth:	21" (533 mm)
Water capacity:	115 gal (435.3 L)
Template:	Drop-in, 1016369-7, required, included
Electrical component rating:	Blower: 220-240 V, 5 A, 50/60 Hz
Blower speed:	Variable

### Notes

Measure your actual product for rough-in details. Install this product according to the installation instructions.

The hot water supply should be 70% of the capacity of the bath or greater. Installations will vary.

Kit is required for under-mount installations (sold separately).