

Features

- Fixture-mount design.
- Includes 1.5 V AA batteries.
- Retrofit models require a control stop and vacuum breaker.

Material

- Brass construction.

Technology

- Electronic infrared sensor with TriPoint™ technology for accurate activation.
- Slow-closing piston technology.

Installation

- Intended for toilet installations with 1-1/2" spud coupling connection.



ADA

CSA B651

OBC

Codes/Standards

ASME A112.18.1/CSA B125.1

CSA B64

CSA B125.3

ASSE 1037/ASME A112.1037/CSA B125.37

All applicable US Federal and State material regulations

ADA

ICC/ANSI A117.1

CSA B651

OBC

KOHLER® One-Year Limited Warranty

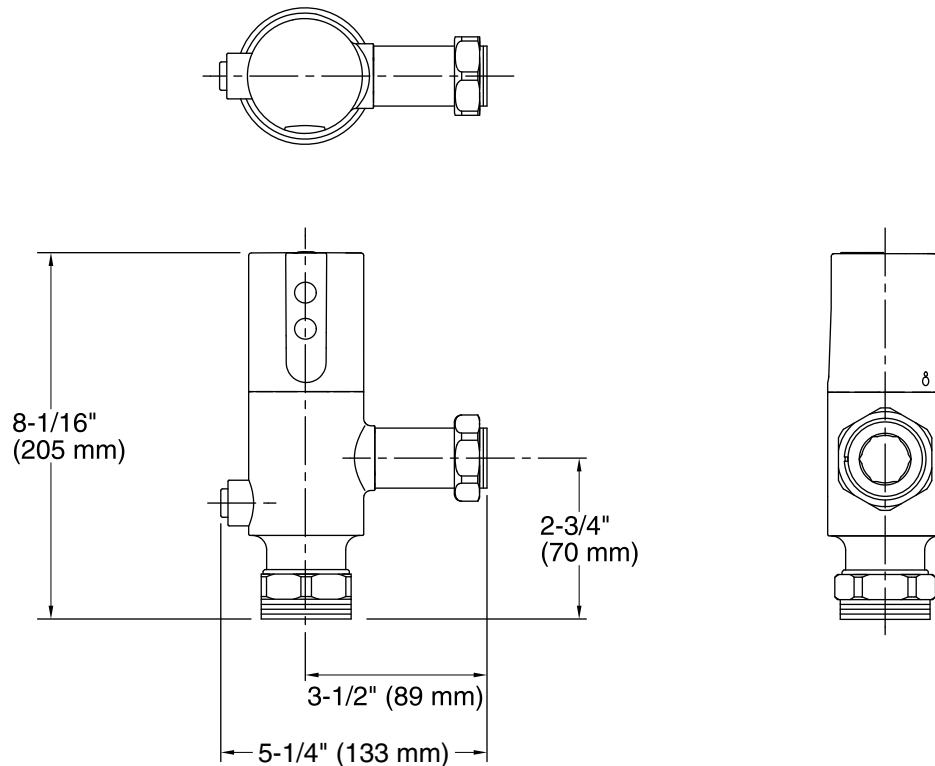
See website for detailed warranty information.

Available Colors/Finishes

Color tiles intended for reference only.

Color	Code	Description
-------	------	-------------

	CP	Polished Chrome
--	----	-----------------



Technical Information

All product dimensions are nominal.

Power source: Battery - DC, included

Fixture pressure max 80 psi (551.6 kPa)
(static):

Pressure and Supply Requirements

Fixture Supply Requirements

Max static pressure: 80 psi (551.6 kPa)

Min flowing pressure: 25 psi (172.4 kPa)

Min flow rate: 25 gpm (94.6 lpm)

Notes

Install this product according to the installation guide.

ADA, OBC, CSA B651 compliant when installed to the specific requirements of these regulations.