

### Features

- Fixture-mount design.
- Includes 1.5V AA batteries.
- Retrofit models require a control stop and vacuum breaker.

### Material

- Brass construction.

### Technology

- Electronic infrared sensor with TriPoint™ technology for accurate activation.
- Slow-closing piston technology.

### Installation

- Intended for toilet installations with 1-1/2" spud coupling connection.



ADA CSA B651 OBC

### Codes/Standards

ASME A112.18.1/CSA B125.1  
CSA B64  
ASSE 1037/ASME A112.1037/CSA B125.37  
ADA  
ICC/ANSI A117.1  
CSA B651  
OBC

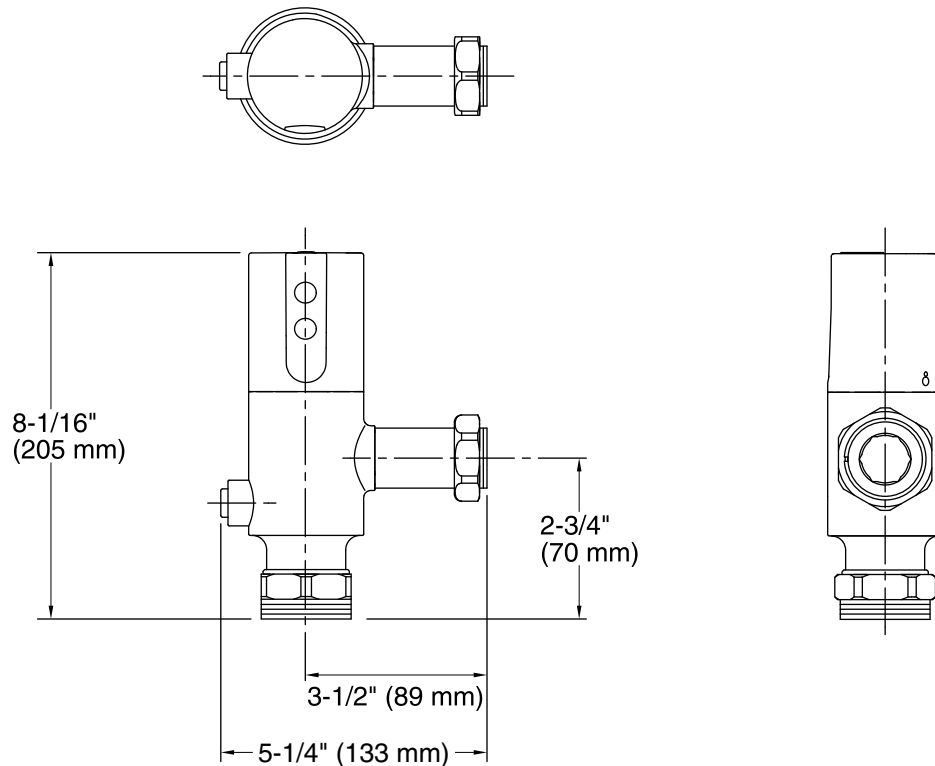
### KOHLER® One-Year Limited Warranty

See website for detailed warranty information.

### Available Colors/Finishes

*Color tiles intended for reference only.*

Color	Code	Description
	CP	Polished Chrome



### Technical Information

All product dimensions are nominal.

Power source: Battery - DC, included

Fixture pressure max 80 psi (551.6 kPa)  
(static):

### Pressure and Supply Requirements

#### Fixture Supply Requirements

Max static pressure: 80 psi (551.6 kPa)

Min flowing pressure: 25 psi (172.4 kPa)

Min flow rate: 25 gpm (94.6 lpm)

### Notes

Install this product according to the installation guide.

ADA, OBC, CSA B651 compliant when installed to the specific requirements of these regulations.