

#### Features

- Fixture-mount design.
- Includes 1.5 V AA batteries.
- Retrofit model.

#### Material

- Brass construction.

#### Technology

- Electronic infrared sensor with WAVE technology for accurate activation.
- Slow-closing piston technology.

#### Installation

- Intended for toilet installations with 1-1/2" spud coupling connection.



ADA CSA B651 OBC

#### Codes/Standards

ASME A112.18.1/CSA B125.1  
CSA B64  
CSA B125.3  
ASSE 1037/ASME A112.1037/CSA B125.37  
ADA  
ICC/ANSI A117.1  
CSA B651  
OBC

#### KOHLER® One-Year Limited Warranty

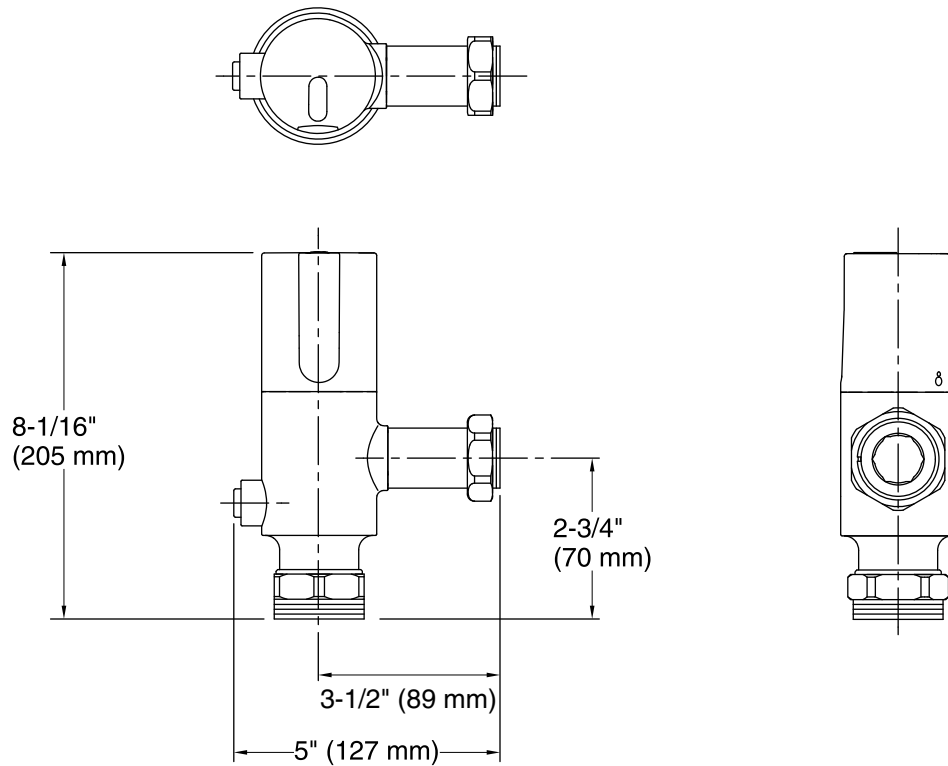
See website for detailed warranty information.

#### Available Colors/Finishes

*Color tiles intended for reference only.*

Color	Code	Description
-------	------	-------------

	CP	Polished Chrome
--	----	-----------------



### Technical Information

All product dimensions are nominal.

Power source: Battery - DC, included

Fixture pressure max 80 psi (551.6 kPa)  
(static):

### Pressure and Supply Requirements

#### Fixture Supply Requirements

Max static pressure: 80 psi (551.6 kPa)

Min flowing pressure: 25 psi (172.4 kPa)

Min flow rate: 25 gpm (94.6 lpm)

### Notes

Install this product according to the installation guide.

ADA, OBC, CSA B651 compliant when installed to the specific requirements of these regulations.