

Features

- Fixture-mount design.
- Includes four 1.5 V AA batteries.
- Retrofit models require a control stop and vacuum breaker.

Material

- Brass construction.

Technology

- Electronic infrared sensor with TriPoint® technology for accurate activation.
- Slow-closing piston technology.

Installation

- Intended for toilet installations with 1-1/2" spud coupling connection.



ADA

CSA B651

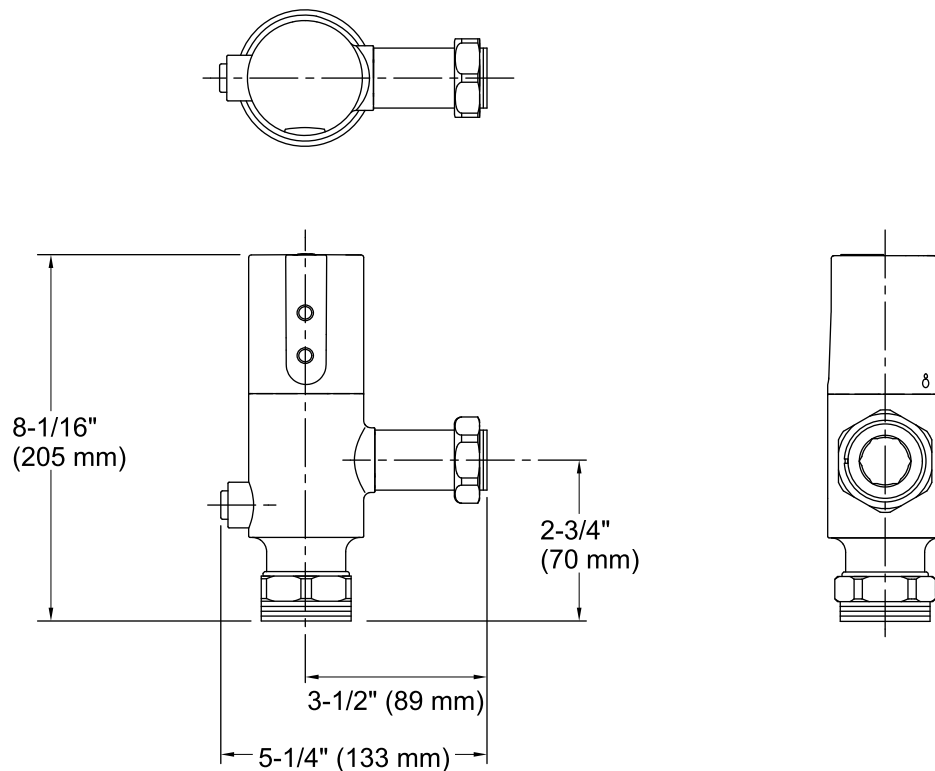
OBC

Codes/Standards

ASSE 1037/ASME A112.1037/CSA B125.37
ADA
ICC/ANSI A117.1
CSA B651
OBC

KOHLER® Faucet Lifetime Limited Warranty

See website for detailed warranty information.



Technical Information

All product dimensions are nominal.

Fixture pressure max 80 psi (551.6 kPa)
(static):

Pressure and Supply Requirements

Fixture Supply Requirements

Max static pressure: 80 psi (551.6 kPa)

Min flowing pressure: 25 psi (172.4 kPa)

Notes

Install this product according to the installation instructions.

IMPORTANT! Maintain a 6" (152 mm) minimum critical level above the fixture.

ADA, OBC, CSA B651 compliant when installed to the specific requirements of these regulations.