

Features

- Customizable farmhouse apron lets you choose a design to complement kitchen decor.
- Match the farmhouse apron with your countertop/backsplash material or select a KOHLER insert.
- Inserts are changeable.
- Patented Tailor™ carrier bracket system makes for simple and secure insert installation.
- Fits minimum 36" apron sink base cabinet.
- Large/medium bowls.
- 9" depth.
- No faucet holes.
- Smart Divide® features a lower bowl divider that increases workspace and versatility.
- Self-Trimming® apron overlaps the cabinet face for easy installation.
- Rear drain increases workspace in the sink and storage space underneath.
- SilentShield® sound-absorption technology offers quieter performance.
- Rounded 0.39" (10mm) corners are easy to clean.

Material

- Handcrafted from stainless steel.
- 16-gauge basins and 4-gauge apron.

Installation

- Under-mount farmhouse.
- Includes insert carrier and hardware to attach customer's own insert material or a KOHLER insert.
- Carrier has adjustability to ensure insert is centered.
- Apron is designed to accommodate traditional countertop material thicknesses of 1.18" (3cm) or less.

Recommended Products/Accessories

K-8801 Sink Strainer
K-8799 Sink Strainer
K-6477 Sink Rack

Optional Products/Accessories

K-22572 Flora insert
K-22573 Etched Stone insert
K-22574 Carved Stone insert
K-22578 tile frame

Included Components

Additional Components:
K-6476 Sink Rack
Cutout templates
Installation hardware

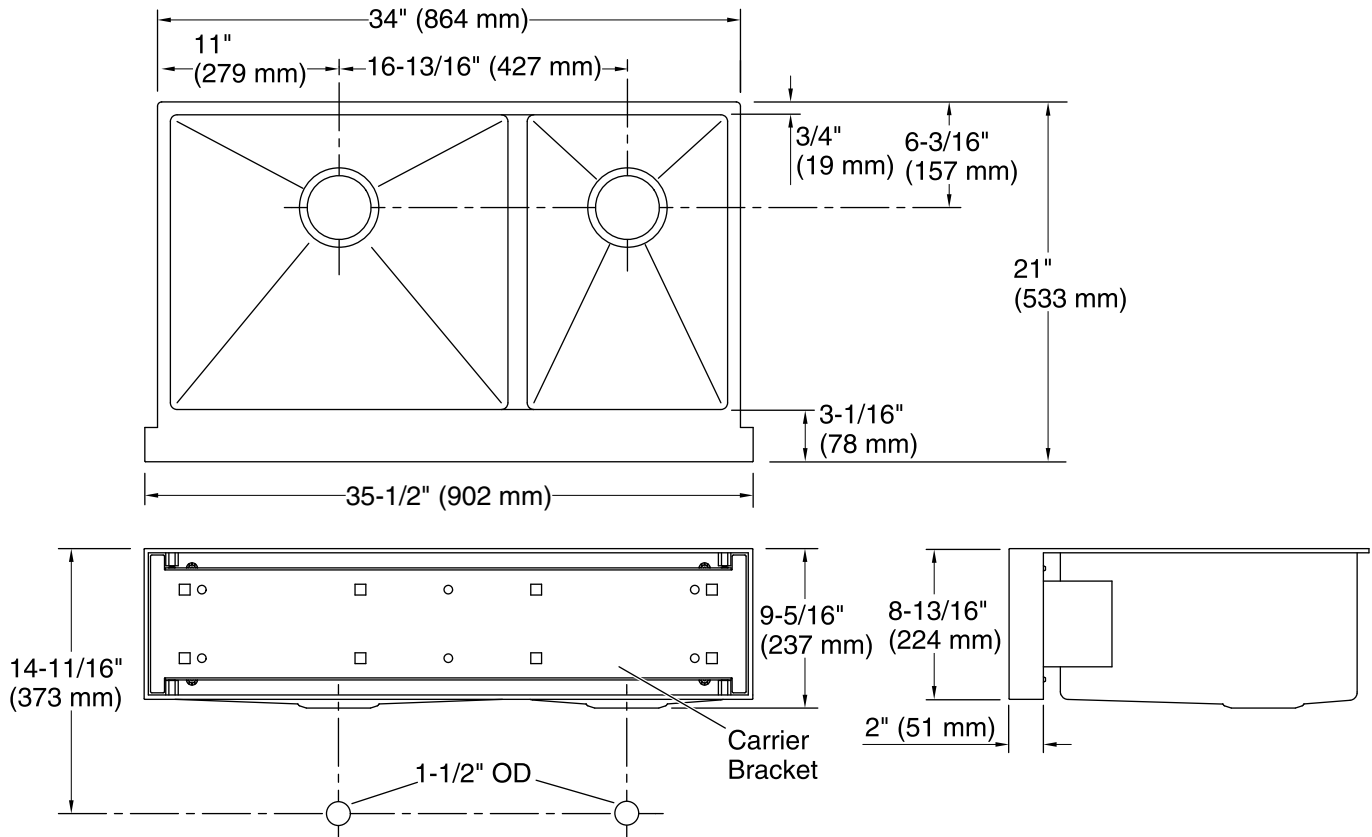


Codes/Standards

ASME A112.19.3/CSA B45.4

Lifetime Limited Warranty for KOHLER® Stainless Steel Sinks

See website for detailed warranty information.



Technical Information

All product dimensions are nominal.

| | |
|--------------------|---|
| Installation: | Under-mount |
| Bowl area (Left): | Length: 19-11/16" (500 mm) Width: 17-3/16" (437 mm) Bowl depth: 9" (229 mm) Water depth: 9" (229 mm) |
| Bowl area (Right): | Length: 11-11/16" (297 mm) Width: 17-3/16" (437 mm) Bowl depth: 9" (229 mm) Water depth: 9" (229 mm) |
| Drain hole: | 3-3/4" (94 mm) |
| Template: | Apron-front, 1224194-7, required, included 1358496-7, not required, included |

Notes

Install this product according to the installation instructions.

Allow a minimum of 3" (76 mm) clearance for the back 3/4" (19 mm) sink rim flange for clip attachment.

The 3/4" (19 mm) side rim flanges are supported without using the clip attachment. See the installation guide for further instructions.