



Sentra™

Quiet-Close™ elongated toilet seat
38714

Features

- Fits most elongated toilets
- Elongated closed-front seat
- Quiet-Close™ elongated lid and seat prevents slamming
- Color-matched plastic hinges
- Grip-Tight bumpers hold seat firmly in place

Material

- Plastic construction
- Premium material construction for durability and reliability



Codes/Standards

IAPMO/ANSI Z124.5


STERLING® One-Year Limited Warranty

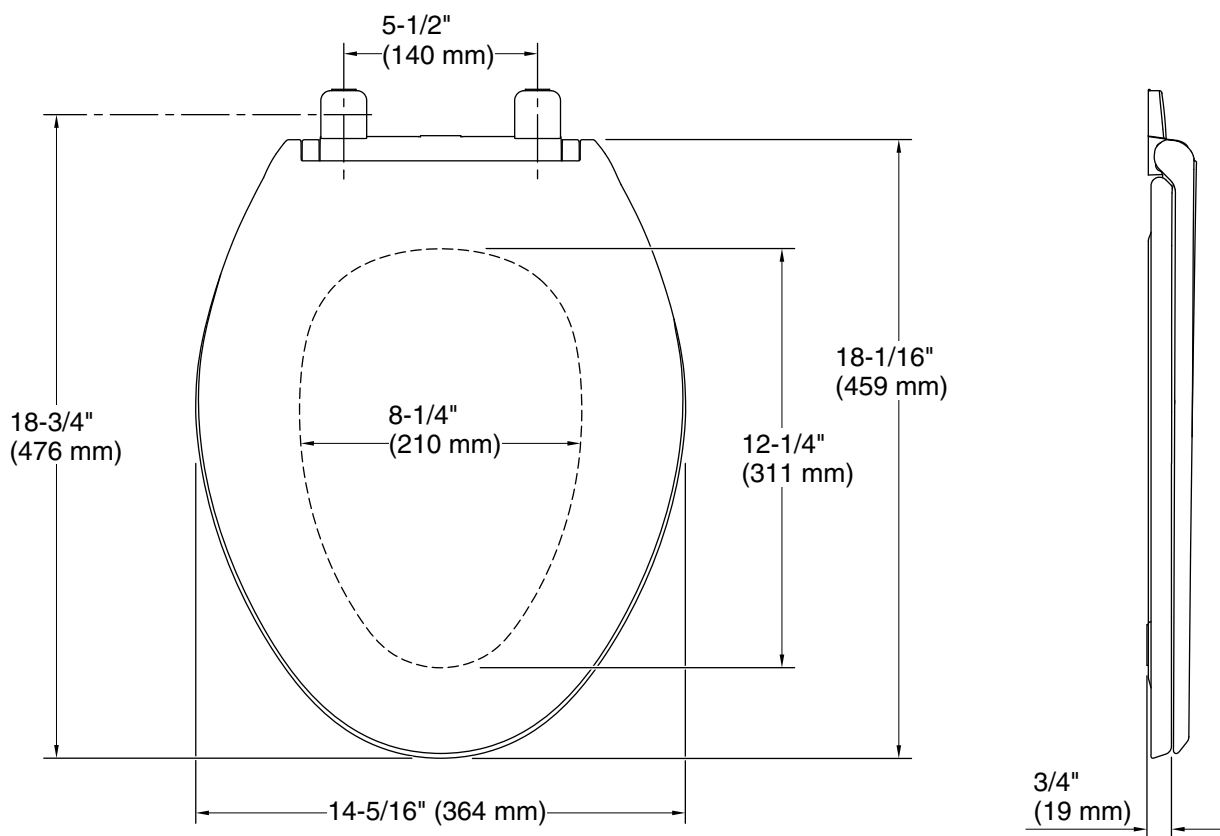
See website for detailed warranty information.

Available Colors/Finishes

Color tiles intended for reference only.

| Color | Code | Description |
|-------|------|-------------|
|-------|------|-------------|

| | | |
|---|---|-------|
|  | 0 | White |
|---|---|-------|



Technical Information

All product dimensions are nominal.

- Seat shape type: Elongated
- Seat front type: Closed-front
- Seat-mounting holes: 5-1/2" (140 mm)

Pressure/fixture Supply Requirements

Notes

Install this product according to the installation guide.