



**Iron/Tones®**  
 Top-/Under-Mount Kitchen Sink  
**K-6625**

**Features**

- 33-inch minimum base cabinet width for top-mount installation
- 36-inch minimum base cabinet width for undermount installation.
- Large/medium bowls.
- 9-inch depth.
- No faucet holes.
- Smart Divide® features a lower bowl divider that increases workspace and versatility.
- Versatile design allows large basin to be installed on the right or left

**Material**

- KOHLER® enameled cast iron.

**Installation**

- Top-mount or under-mount.

**Recommended Products/Accessories**

- K-9000 P-Trap
- K-5137 Sink Rack
- K-6377 Sponge Caddy
- K-6378 Kitchen Brush Caddy
- K-6379 Kitchen Squeegee
- K-6382 Disinfecting Wipes Dispenser
- K-6383 Soap Dispenser
- K-8618 Paper Towel Holder
- K-8619 Flexible Kitchen Mat
- K-8624 Dish Scraper
- K-5139 Sink Rack
- K-8801 Sink Strainer
- K-8799 Sink Strainer

**Optional Products/Accessories**

- K-5180 Right-Bowl Sink Rack

**Included Components**

Product consists of:  
 1054375 Under-mount Sink Kit, 23"



**Codes/Standards**

ASME A112.19.1/CSA B45.2

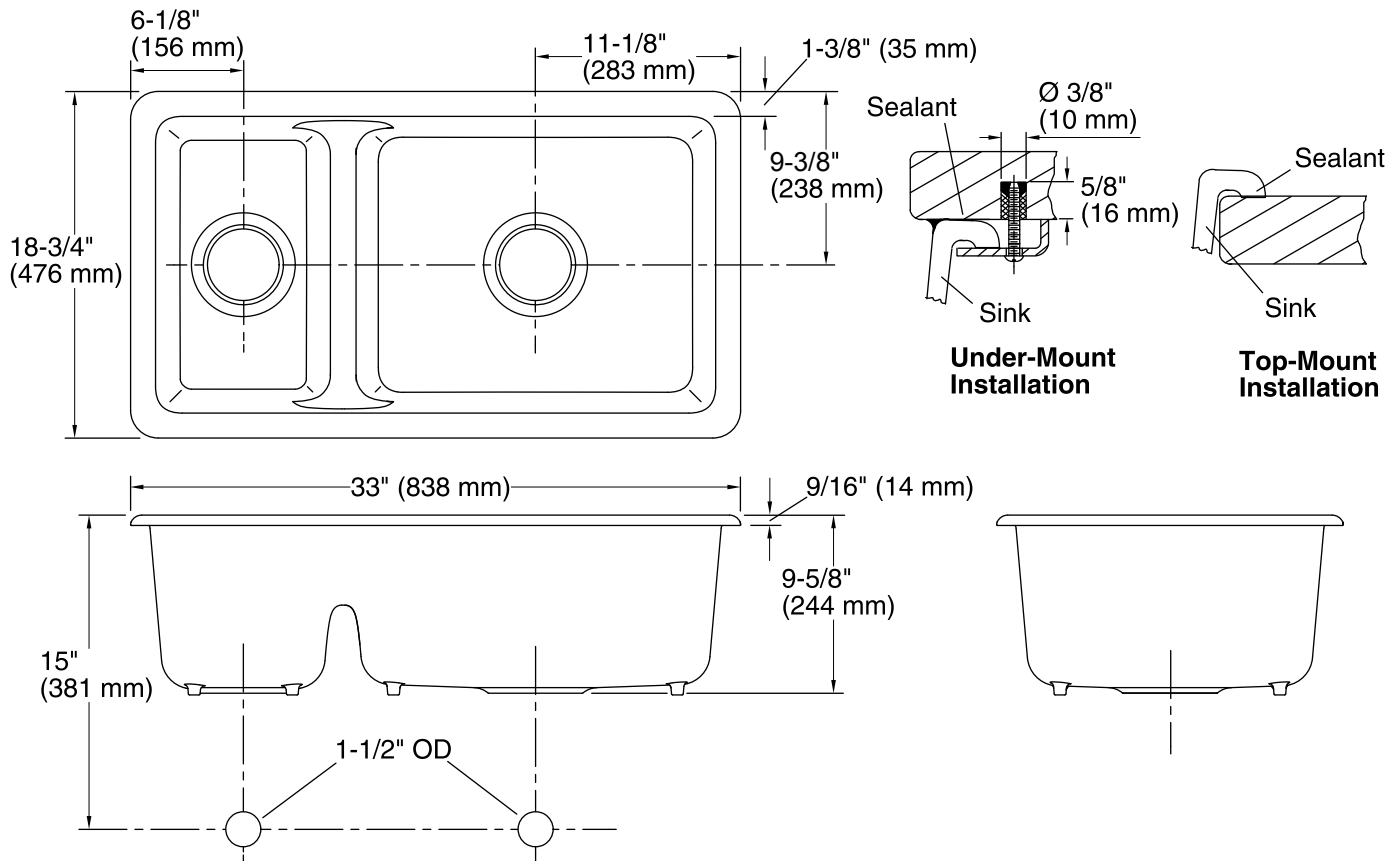
**KOHLER® Enameled Cast Iron Kitchen Sink Lifetime Limited Warranty**

See website for detailed warranty information.

**Available Colors/Finishes**

*Color tiles intended for reference only.*

Color	Code	Description
	0	White
	FF	Sea Salt™
	96	Biscuit
	47	Almond
	FD	Cane Sugar™
	NY	Dune
	FE	Frost
	95	Ice™ Grey
	G9	Sandbar
	33	Mexican Sand™
	K4	Cashmere
	FT	Basalt
	58	Thunder™ Grey
	R1	Roussillon™ Red
	20	Suede
	KA	Black 'n Tan
	FP	Caviar
	7	Black Black™



### Technical Information

All product dimensions are nominal.

Bowl configuration:	Off-set Large/small
Installation:	Top-mount, Under-mount
Min. base cabinet width:	36" (914 mm)
Bowl area (Right):	Length: 19-1/4" (489 mm) Width: 16" (406 mm) Water depth: 9" (229 mm)
Bowl area (Left):	Length: 9-1/4" (235 mm) Width: 16" (406 mm) Water depth: 9" (229 mm)
Drain hole:	3-7/8" (98 mm)
Template:	1043168-7, required, included

### Notes

Install this product according to the installation instructions.

**NOTICE:** The countertop manufacturer or cutter must use the cut-out template provided with the product, or a current one provided by the Kohler Co. (Call 1-800-4-KOHLER.) Kohler Co. is not responsible for cut-out errors when the incorrect cut-out template is used.