

### Features

- 4-inch center faucet holes.
- Oval basin.
- Overflow drain.

### Material

- Vitreous china.

### Technology

- Antimicrobial finish inhibits the growth of mold, mildew, stain and odor causing bacteria on the fixture surface.

### Installation

- Includes wall hanger.
- Wall-mount
- Drilled for concealed arm carrier installation.

### Optional Accessories

- K-8998 P-Trap
- K-1998 Shroud

### Components

Additional included component/s: Hanger (2 required).



ADA CSA B651 OBC

### Codes/Standards

ASME A112.19.2/CSA B45.1  
ADA  
ICC/ANSI A117.1  
CSA B651  
OBC

### KOHLER® One-Year Limited Warranty

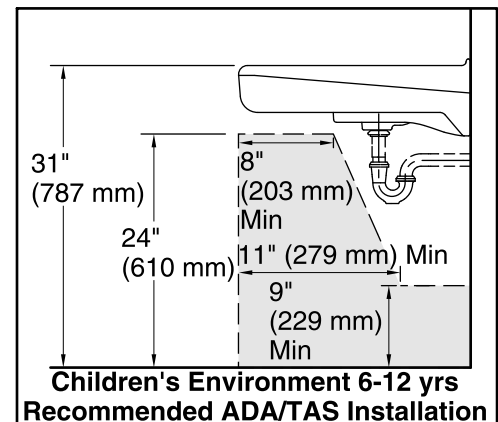
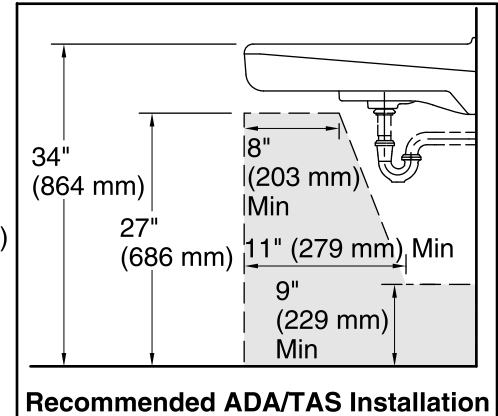
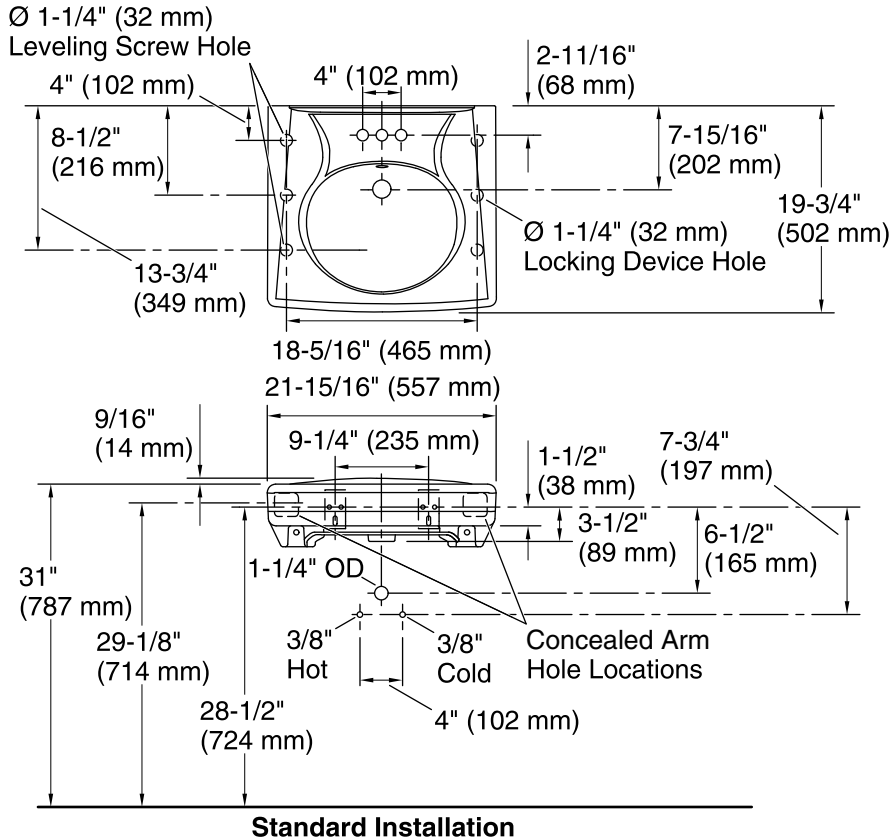
See website for detailed warranty information.

### Available Color/Finishes

*Color tiles intended for reference only.*

Color	Code	Description
-------	------	-------------

	0	White
--	---	-------



### Technical Information

All product dimensions are nominal.

- Bowl configuration: Single  
 Installation: Wall-mount  
 Bowl area (Only): Length: 14-3/8" (365 mm)  
 Width: 12-5/16" (313 mm)  
 With overflow: Yes  
 Water depth: 3-1/4" (83 mm)  
 Number of deck holes: 3  
 Faucet hole(s): 1-1/4" (32 mm)  
 Drain hole: 1-3/4" (44 mm)

### Notes

- Install this product according to the installation instructions.  
 ADA, OBC, CSA B651 compliant when installed to the specific requirements of these regulations.