

Features

- Frameless, 5/16-inch-thick (8mm) Crystal Clear tempered glass.
- Geometric handle on both sides of the glass has a solid, heavy feel.
- Door is reversible for right- or left-hand installation.
- Ultra-low threshold for easy entry and exit.
- CleanCoat® glass treatment repels water for improved ease of cleaning.
- Flush-fitting bonded hinges create smooth surface for quick cleaning.
- No exposed screws for sleek, contemporary look.
- Out-of-Plumb adjustability for simple installation.

Material

- Anodized aluminum hardware prevents rusting or corrosion.

Installation

- Pivot shower door.
- Pre-assembled frame requires no cutting during installation.
- 3/4-inch width adjustability on each wall jamb (offering 1 - 1/2 inch total adjustability).
- Filler sections (1296808) can be used to extend the width of an enclosure door by 3/8 inch.
- Adjustable ball catch ensures reliable operation.

Recommended Accessories

1296808 Torsion™ Door Filler Jamb

Components

Additional included component/s: Hardware Kit.



Codes/Standards


ANSI Z97.1
CPSC 16CFR 1201

KOHLER® One-Year Limited Warranty

See website for detailed warranty information.

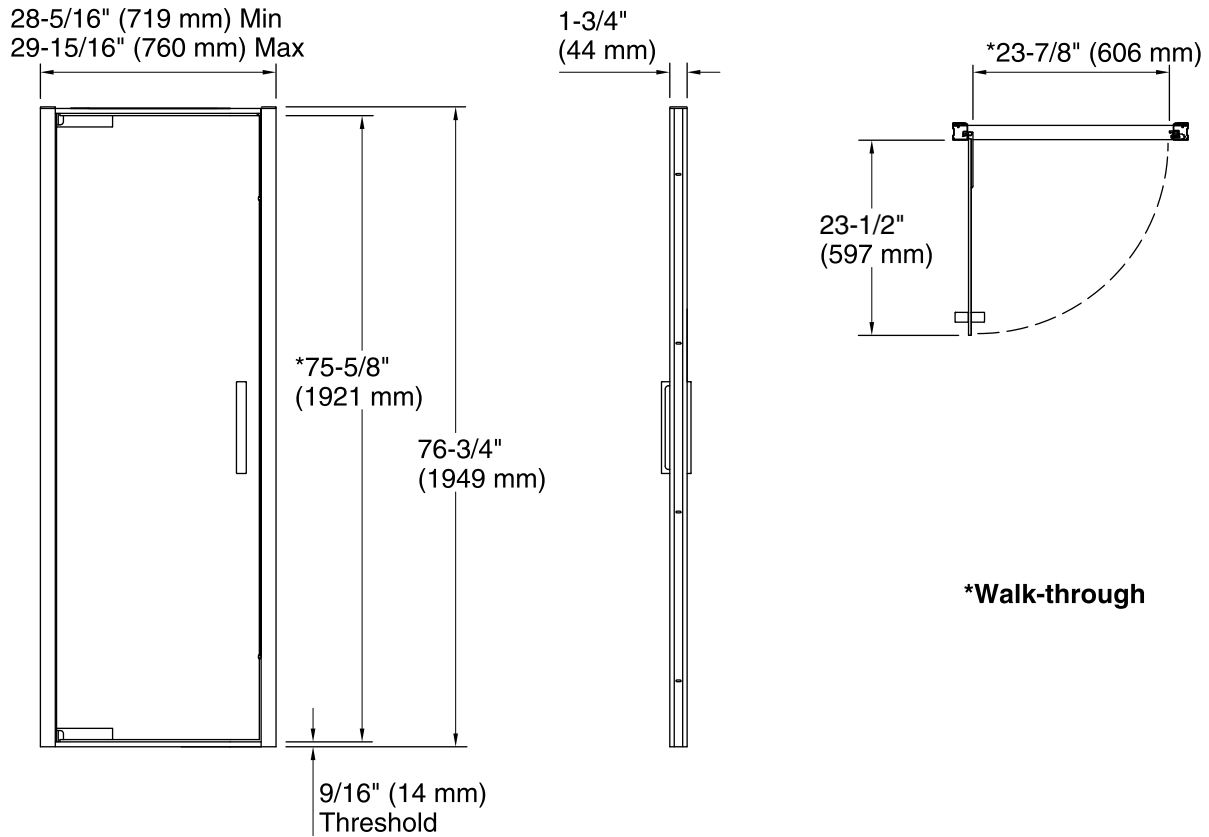
Available Color/Finishes

Color tiles intended for reference only.

Color	Code	Description
	SHP	Bright Polished Silver

Available Glass Options

Code	Description
L	Crystal Clear



Technical Information

All product dimensions are nominal.

Installation type: For shower base installation

Opening Width - Min: 28-5/16" (720 mm)

Opening Width - Max: 29-15/16" (760 mm)

Walk-through - Min: 23-5/8" (600 mm)

Walk-through - Max: 23-5/8" (600 mm)

Glass thickness: 5/16" (8 mm)

Glass coating: CleanCoat®

Notes

Install this product according to the installation guide.