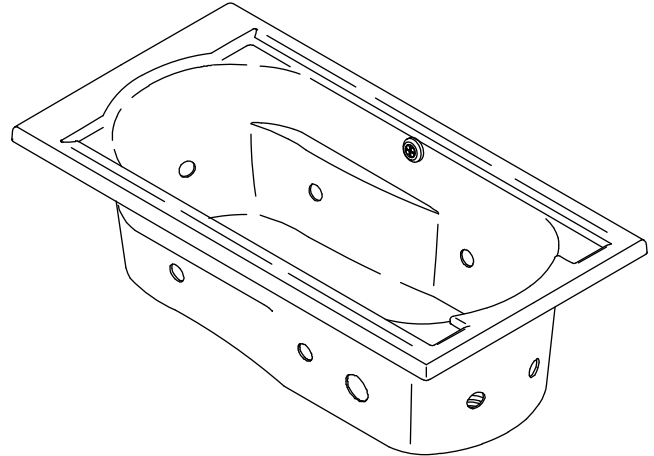


Features

- Acrylic
- Bask™ heated lumbar support with three temperature settings
- 8 fully adjustable color-matched hydro-massage jets
- Molded lumbar support and armrests for comfort
- Textured bottom surface
- Drop-in installation
- Reversible drain
- 60" (1524 mm) x 32" (813 mm) x 20" (508 mm)

5' BATH WHIRLPOOL WITH BASK™ K-1357-W1



Codes/Standards Applicable

Specified model meets or exceeds the following:

- UL 1795
- ASTM E162
- ASTM E662
- CSA B45.5/IAPMO Z124
- ASME A112.19.7/CSA B45.10

Colors/Finishes

- 0: White
- Other: Refer to Price Book for additional colors/finishes
- CP: Polished Chrome
- PB: Vibrant® Polished Brass

Specified Model

Model	Description	Colors/Finishes		
K-1357-W1	5' Bath whirlpool with Bask	<input type="checkbox"/> 0	<input type="checkbox"/> Other_____	
Recommended Accessories				
K-7161-AF	Adjustable pop-up drain	<input type="checkbox"/> CP	<input type="checkbox"/> PB	<input type="checkbox"/> Other_____

Product Specification

The acrylic bath whirlpool shall be 60" (1524 mm) in length, 32" (813 mm) in width, and 20" (508 mm) in height. Bath shall feature Bask heated lumbar support with three temperature settings. Product shall have 8 fully adjustable color-matched hydro-massage jets. Product shall feature molded lumbar support and armrests for comfort and textured bottom surface. Product shall be for drop-in installation. Product shall have reversible drain. Bath whirlpool shall be Kohler Model K-1357-W1-_____.

DEVONSHIRE®

Technical Information

Fixture*:	
Basin area:	
Bathing well	42" (1067 mm) x 20" (508 mm)
Top area	51" (1295 mm) x 24" (610 mm)
Weight	106 lbs (48.1 kg)
To overflow:	
Water depth	14" (356 mm)
Capacity	60 gal (227.1 L)
* Approximate measurements for comparison only.	
	V Hz A
1-speed pump	120 60 7
Heated surface	120 60 0.5

Required Electrical Service

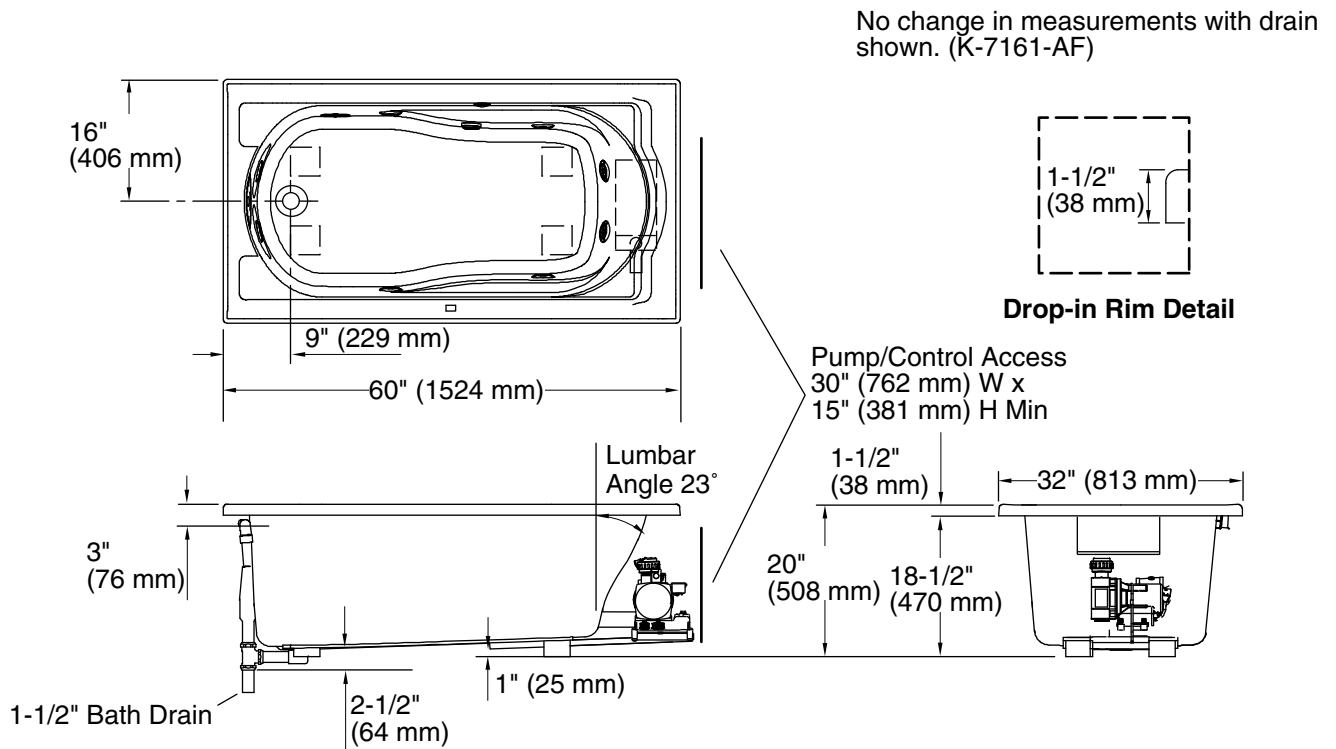
Dedicated circuit required, protected with a Class A Ground-Fault Circuit-Interrupter (GFCI):	
Pump/Control/Heated surface	120 V, 15 A, 60 Hz

Installation Notes

Install this product according to the installation guide.

Floor support under whirlpool must provide for a minimum of 47 lbs/square foot (230 kg/square meter) loading.

Locate a GFCI-protected 120 V, 15 A, grounded duplex electrical outlet within 24" (610 mm) of the bath junction box.



Product Diagram