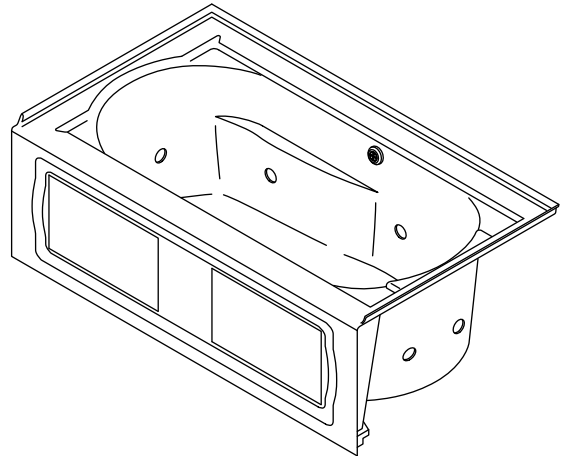


Features

- Acrylic
- Bask™ heated lumbar support with three temperature settings
- 8 fully adjustable color-matched hydro-massage jets
- Molded lumbar support and armrests for comfort
- Textured bottom surface
- Integral apron with removable access panel
- 3-wall alcove installation with integral tile flange
- Left or right drain
- 60" (1524 mm) x 32" (813 mm) x 21-1/4" (540 mm)

5' BATH WHIRLPOOL WITH INTEGRAL APRON AND BASK™ K-1357-LAW ALSO K-1357-RAW



Codes/Standards Applicable

Specified model meets or exceeds the following:

- UL 1795
- ASTM E162
- ASTM E662
- ASME A112.19.7/CSA B45.10
- CSA B45.11/IAPMO Z401

Colors/Finishes

- 0: White
- Other: Refer to Price Book for additional colors/finishes
- CP: Polished Chrome
- PB: Vibrant® Polished Brass

Specified Model

Model	Description	Colors/Finishes	
K-1357-LAW	5' Bath whirlpool with integral apron and Bask – left drain (shown)	<input type="checkbox"/> 0	<input type="checkbox"/> Other_____
K-1357-RAW	5' Bath whirlpool with integral apron and Bask – right drain	<input type="checkbox"/> 0	<input type="checkbox"/> Other_____
Recommended Accessories			
K-7161-AF	Adjustable pop-up drain	<input type="checkbox"/> CP	<input type="checkbox"/> PB <input type="checkbox"/> Other_____

Product Specification

The acrylic bath whirlpool shall be 60" (1524 mm) in length, 32" (813 mm) in width, and 21-1/4" (540 mm) in height. Bath shall feature Bask heated lumbar support with three temperature settings. Product shall have 8 fully adjustable color-matched hydro-massage jets. Product shall feature molded lumbar support and armrests for comfort and textured bottom surface. Product shall have an integral apron with removable access panel. Product shall be for 3-wall alcove installation with integral tile flange. Product shall have left or right drain. Bath whirlpool shall be Kohler Model K-1357-____-____.

DEVONSHIRE®

Technical Information

Fixture*:			
Basin area:			
Bathing well	42" (1067 mm) x 20" (508 mm)		
Top area	51" (1295 mm) x 24" (610 mm)		
Weight	141 lbs (64 kg)		
To overflow:			
Water depth	14" (356 mm)		
Capacity	60 gal (227.1 L)		
* Approximate measurements for comparison only.			
	V	Hz	A
1-speed pump	120	60	7
Heated surface	120	60	0.5

Required Electrical Service

Dedicated circuit required, protected with a Class A Ground-Fault Circuit-Interrupter (GFCI):	
Pump/Control/Heated surface	120 V, 15 A, 60 Hz

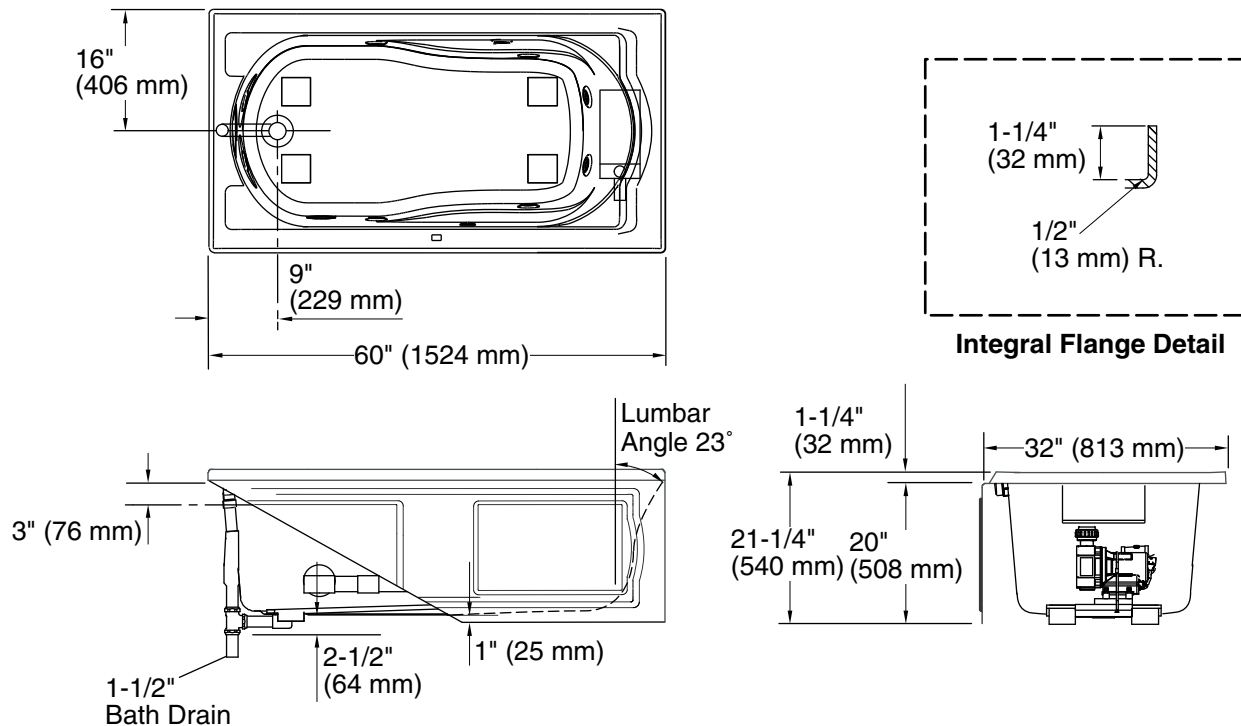
Installation Notes

Install this product according to the installation guide.

Floor support under whirlpool must provide for a minimum of 50 lbs/square foot (242 kg/square meter) loading.

Locate a GFCI-protected 120 V, 15 A, grounded duplex electrical outlet within 24" (610 mm) of the bath junction box.

No change in measurements if connected with drain illustrated. (K-7161-AF)



Product Diagram