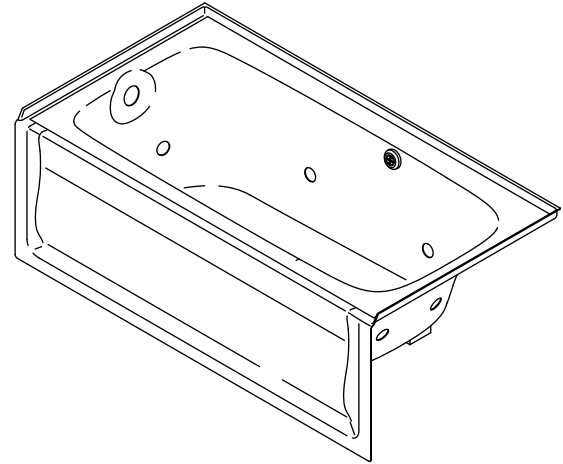


### Features

- Acrylic
- Bask™ heated lumbar support with three temperature settings
- 8 fully adjustable color-matched hydro-massage jets
- Molded lumbar support and armrests for comfort
- Textured bottom surface
- Integral apron with removable access panel
- 3-wall alcove installation with integral tile flange
- Left or right drain
- 60" (1524 mm) x 32" (813 mm) x 21-1/4" (540 mm)

### 5' BATH WHIRLPOOL WITH BASK™ K-1151-LAW ALSO K-1151-RAW



### Codes/Standards Applicable

Specified model meets or exceeds the following:

- UL 1795
- CSA B45.5/IAPMO Z124
- ASTM E162
- ASTM E662
- ASME A112.19.7/CSA B45.10

### Colors/Finishes

- 0: White
- Other: Refer to Price Book for additional colors/finishes
- CP: Polished Chrome

### Specified Model

Model	Description	Colors/Finishes	
		<input type="checkbox"/> 0	<input type="checkbox"/> Other_____
K-1151-LAW	5' Bath whirlpool with Bask – left drain (shown)	<input type="checkbox"/> 0	<input type="checkbox"/> Other_____
K-1151-RAW	5' Bath whirlpool with Bask – right drain	<input type="checkbox"/> 0	<input type="checkbox"/> Other_____
Recommended Accessories			
K-11677	Swiftflo™ adjustable trip lever drain	<input type="checkbox"/> CP	<input type="checkbox"/> Other_____

### Product Specification

The acrylic bath whirlpool shall be 60" (1524 mm) in length, 32" (813 mm) in width, and 21-1/4" (540 mm) in height. Product shall feature Bask heated lumbar support with three temperature settings. Product shall have slotted overflow for maximum bathing depth, 8 fully adjustable color-matched hydro-massage jets, and textured bottom surface. Product shall feature Comfort Depth design, which offers a 19-inch step-over height. Product shall have molded lumbar support and armrests for comfort, and integral apron with removable access panel. Product shall be for 3-wall alcove installation with integral tile flange. Product shall have left or right drain. Bath whirlpool shall be Kohler Model K-1151-\_\_\_\_-\_\_\_\_.

# BANCROFT®

## Technical Information

Fixture*:	
Bathing well:	
Basin area, bottom	45" (1143 mm) x 22" (559 mm)
Basin area, top	54" (1372 mm) x 25" (635 mm)
Weight	141 lbs (64 kg)
To overflow:	
Water depth	15" (381 mm)
Capacity	60 gal (227.1 L)
* Approximate measurements for comparison only.	

	V	Hz	A
1-speed pump	120	60	7
Heated surface	120	60	0.5

## Required Electrical Service

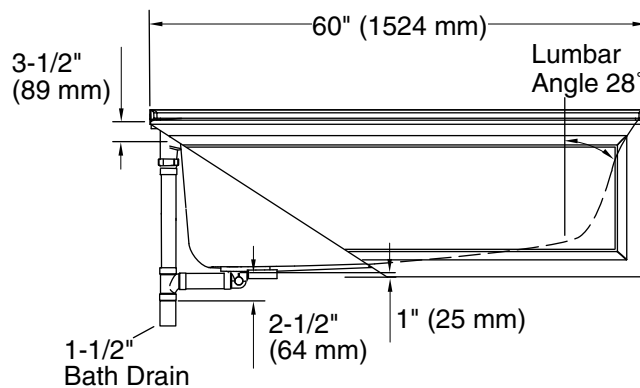
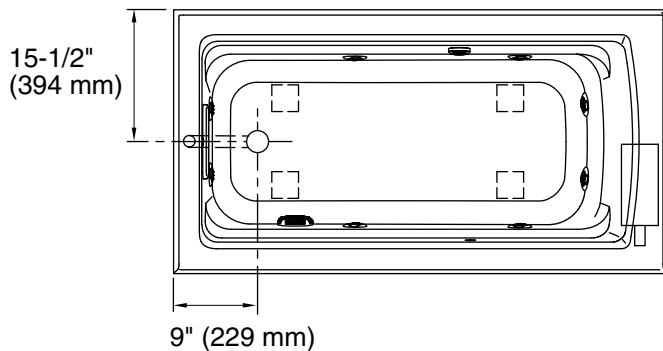
Dedicated circuit required, protected with a Class A Ground-Fault Circuit-Interrupter (GFCI):	
Pump/Control/Heated surface	120 V, 15 A, 60 Hz

## Installation Notes

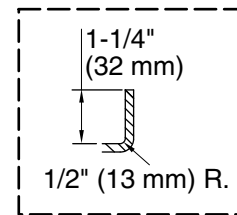
Install this product according to the installation guide.

Floor support under whirlpool must provide for a minimum of 50 lbs/square foot (242 kg/square meter) loading.

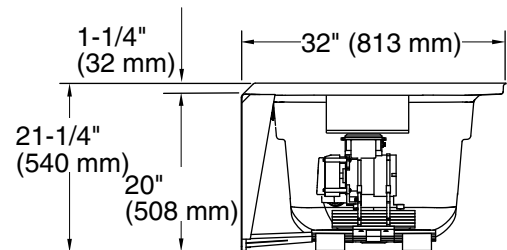
Locate a GFCI-protected 120 V, 15 A, grounded duplex electrical outlet within 24" (610 mm) of the bath junction box.



No change in measurements if connected with drain illustrated. (K-11677)



Integral Flange Detail



## Product Diagram