

CLEARFLO

Features

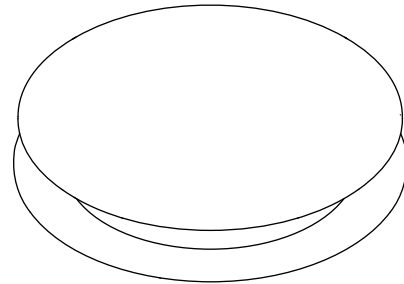
- Metal construction
- Intended to replace existing stopper/drain, flange/toggle linkage
- For KOHLER drains K-7160-AF, K-7160-TF, K-7161-AF, K-7193
- Installs on most drain bodies with 1-1/2"-11 1/2 NPSM thread
- Vibrant PVD finishes available

**RETROFIT TOE-TAP DRAIN ONLY
CONVERSION KIT
K-7143**

Codes/Standards Applicable

Specified model meets or exceeds the following:

- ASME A112.18.1/CSA B125.1



Colors/Finishes

- CP: Polished Chrome
- Other: Refer to Price Book for additional colors/finishes

Specified Model:

Model	Description	Colors/Finishes	
K-7143	Retrofit toe-tap drain only conversion kit	<input type="checkbox"/> CP	<input type="checkbox"/> Other_____

PRODUCT SPECIFICATION

The retrofit toe-tap drain only conversion kit shall be made of metal construction. Kit shall be intended to replace existing stopper/drain, flange/toggle linkage. Kit shall be for KOHLER drains K-7160-AF, K-7160-TF, K-7161-AF, K-7193. Kit shall install on most drain bodies with 1-1/2"-11 1/2 NPSM thread. Kit shall be available with Vibrant PVD finishes. Kit shall be Kohler model K-7143-_____.

CLEARFLO

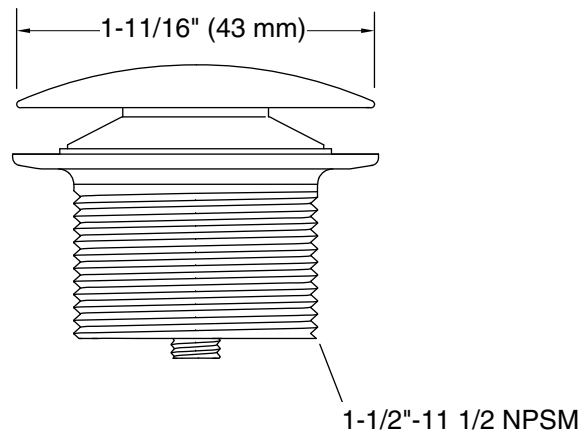
Installation Notes

Install this product according to the installation guide.

IMPORTANT! This installation should be performed by a qualified plumber.

IMPORTANT! Provide access to the back of the bath. Removing the existing overflow cover may effect the seal. Inspect the back of the bath for leaks after completing this retrofit installation.

The existing stopper should measure approximately 1-11/16" (43 mm) in diameter or this kit will not fit.



Product Diagram

CLEARFLO RETROFIT TOE-TAP DRAIN ONLY CONVERSION KIT

Page 2 of 2
1171589-4-A

THE BOLD LOOK
OF **KOHLER**®