

OVAL BATHROOM SINK K-2602

ADA

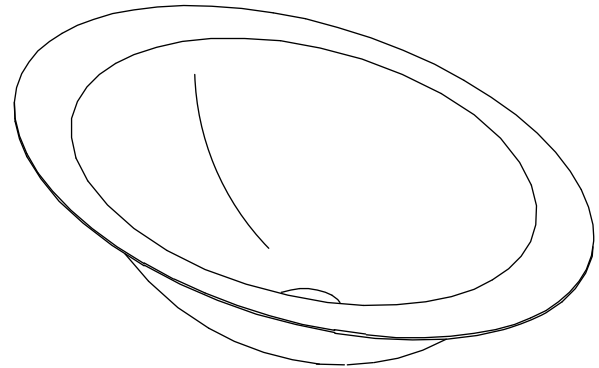
Features

- Under-mount
- 20-gauge stainless steel
- Chrome plated brass tube and gasket included to cover the overflow hole in the drain assembly
- Includes installation hardware
- Without overflow
- 18" (457 mm) x 13" (330 mm)

Codes/Standards Applicable

Specified model meets or exceeds the following:

- ASME A112.19.3/CSA B45.4
- ICC/ANSI A117.1
- ADA



Colors/Finishes

- MF: Mirror French Gold
- SBV: Satin Bronze
- NA: None applicable

Accessories

- CP: Polished Chrome
- Other: Refer to Price Book for additional colors/finishes

Specified Model

Model	Description	Colors/Finishes		
		<input type="checkbox"/> MF	<input type="checkbox"/> SBV	<input type="checkbox"/> NA
K-2602	Oval bathroom sink	<input type="checkbox"/>	<input type="checkbox"/>	<input type="checkbox"/>
K-2602-SU	Oval bathroom sink – Luster finish			<input type="checkbox"/>
K-2602-MU	Oval bathroom sink – Mirror finish			<input type="checkbox"/>

Recommended Accessories				
K-7114	Pop-up bathroom sink drain	<input type="checkbox"/> CP	<input type="checkbox"/> Other _____	
K-7127	Bathroom sink drain with non-removable metal stopper	<input type="checkbox"/> CP	<input type="checkbox"/> Other _____	
K-7129	Grid drain	<input type="checkbox"/> CP	<input type="checkbox"/> Other _____	
K-8998	P-trap	<input type="checkbox"/> CP	<input type="checkbox"/> Other _____	

Product Specification

The oval bathroom sink shall be made of 20 gauge stainless steel. Bathroom sink shall be 18" (457 mm) in length, and 13" (330 mm) in width. Bathroom sink shall be under-mount installation. Bathroom sink shall include hardware installation and without overflow. Bathroom sink shall have a chrome plated brass tube and drain gasket included to cover the overflow hole in the faucet drain assembly. Bathroom sink shall be Kohler Model K-2602-_____-_____-_____.

RHYTHM®

Technical Information

Fixture:*	
Bathroom sink	
Basin area	18" (457 mm) x 13" (330 mm)
Water depth	5-7/8" (149 mm)
Drain hole	Ø 1-5/8" (41 mm)
* Approximate measurements for comparison only.	

Included components:	
Basin clamp assembly	68922
Drain gasket	33507
Tube	1011037-CP
Cut-out template	1000258-7

Installation Notes

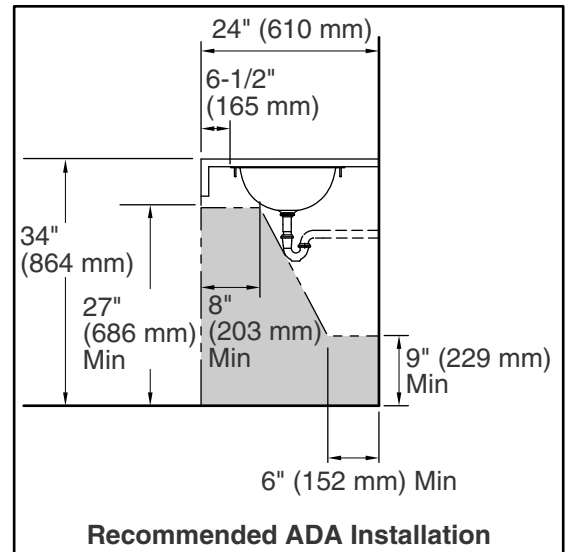
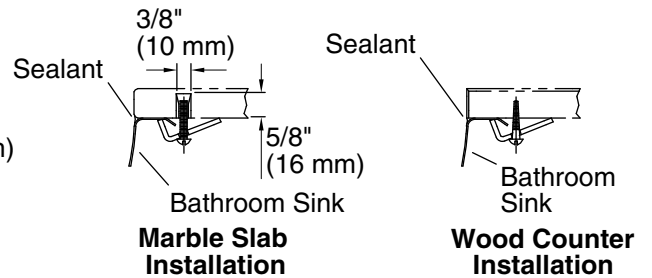
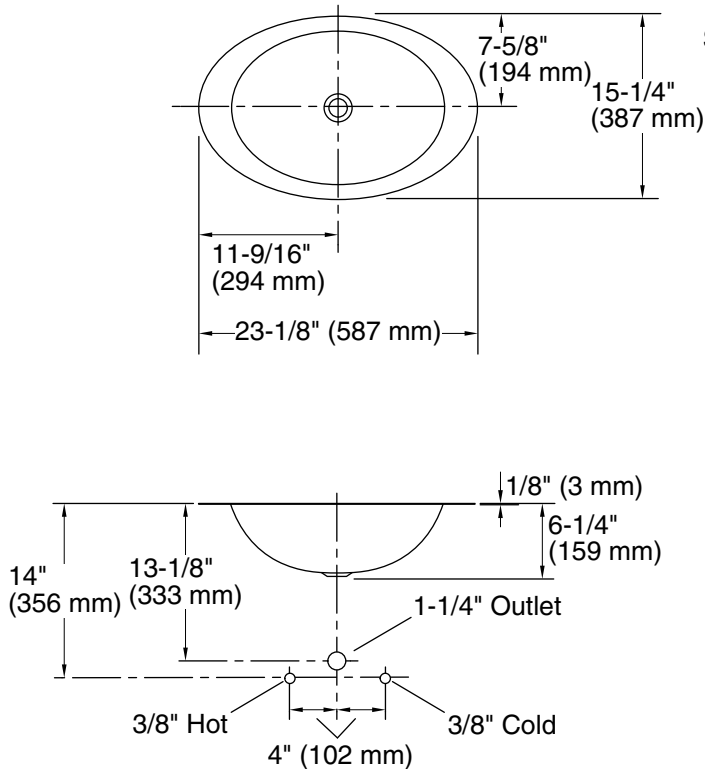
Install this product according to the installation guide.

Supplied basin clamp assembly requires 3/4" (19 mm) minimum countertop thickness. Installer must supply anchors for thinner countertops.

NOTICE: Countertop manufacturer or cutter must use the cut-out template provided by Kohler Co. (call 1-800-4-KOHLER). Kohler Co. is not responsible for cut out errors

when the incorrect cut out template is used.

Waterproof the unprotected overhang area of the underside of the wood counter.



Product Diagram